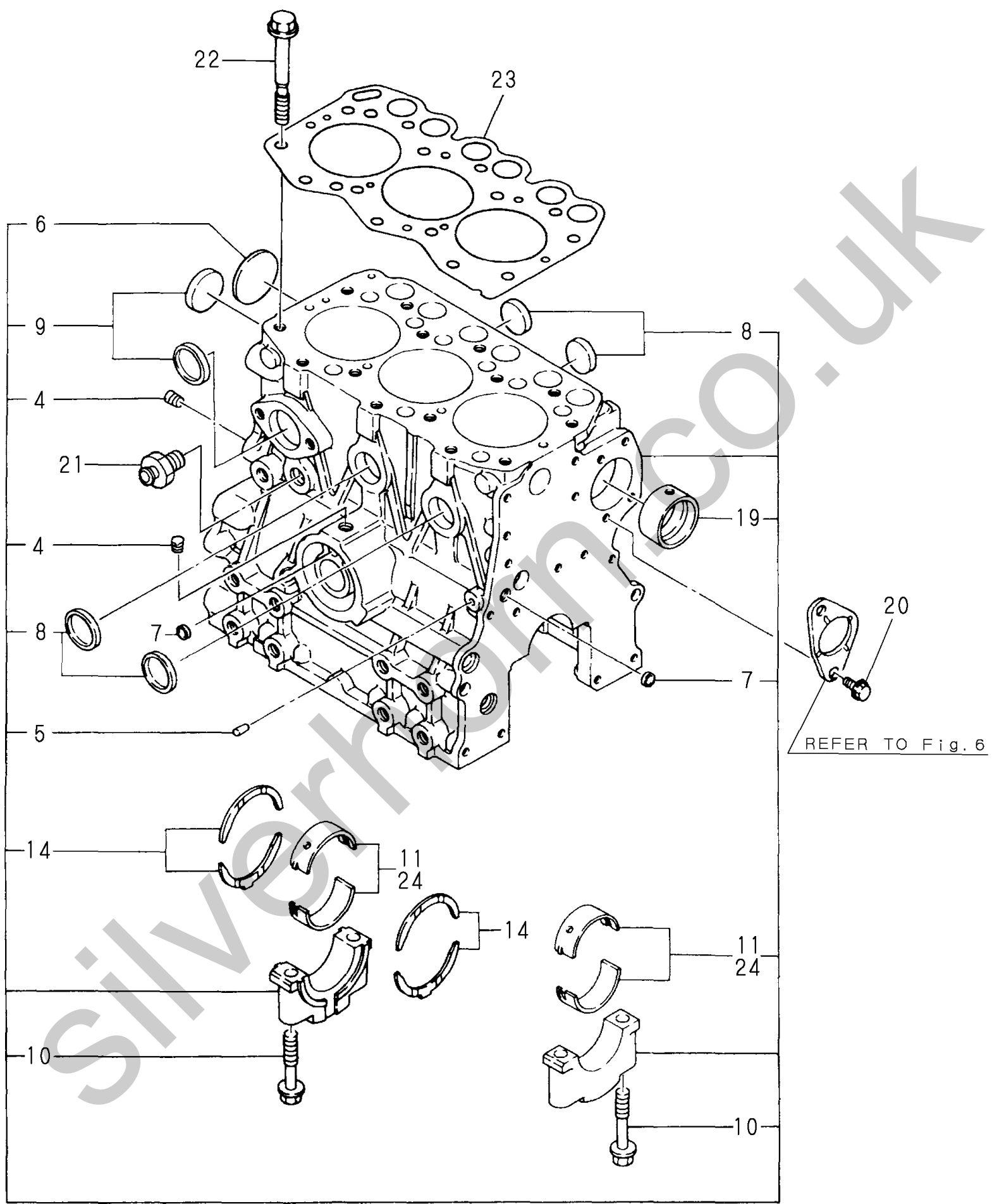


[Info]
PcNo=Y00B4522
PcName=3TN66L-(E)UB
JpnUse=1
JpnSec1=fGf`fWf`
JpnSec2=-§ -
JpnSec3=TN
JpnPreface=0
EngUse=1
EngSec1=ENGINE
EngSec2=SMALL VERTICAL (B)
EngSec3=TN
EngPreface=0

Silverhorn.CO.UK

1,1,,719270-01560,, "BLOCK ASSY, CYLINDER",1,1,,,,,,,,,,,,,
 4,3,,124060-01050,, "PLUG PT1/8",2,2,,,,,,,,,,,,,
 5,3,,27221-060100,, "PLUG 6X10",1,1,,,,,,,,,,,,,
 6,3,,27231-400000,, "PLUG 40",1,,,,,,,,,,,,,
 6-1,3,,119265-01250,, "PLUG 40",1,1,,,,,N,,TN-99126,E/#64002,,,,,,,,,I
 7,3,,27241-100000,, "PLUG 10",2,2,,,,,,,,,,,,,
 8,3,,27241-250000,, "PLUG 25",4,4,,,,,,,,,,,,,
 9,3,,27241-300000,, "PLUG 30",2,2,,,,,,,,,,,,,
 10,3,,119260-02020,, "BOLT",8,8,,,,,,,,,,,,,
 11,2,,119260-02800,, "MAIN BEARING",4,4,,,,,,,,,,,,,
 14,2,,119260-02930,, "THRUST BEARING",2,2,,,,,,,,,,,,,
 19,2,,119260-02410,, "BUSH, CAMSHAFT",1,,,,,,,,,,,,,
 19-1,2,,119266-02410,, "BUSH",1,1,,,,,R,,TN-96938,E/#56916,,,,,,,,,I
 20,1,,26106-060122,, "BOLT M 6X 12 PLATED",2,2,,,,,,,,,,,,,
 21,1,,121550-49111,, "JOINT PT1/4",1,1,,,,,,,,,,,,,
 22,1,,119260-01200,, "BOLT, CYL.HEAD",14,,,,,,,,,,,,,
 22-1,1,,119266-01200,, "STUD, CYL. HEAD",14,14,,,,,N,,TN-
 98033,E/#61330,,,,,,,,,I
 23,1,,119255-01340,, "GASKET, CYL. HEAD",1,,,,,,,,,,,,,
 23-1,1,,119225-01340,, "GASKET, (NON-ASB.)",1,1,,,,,N,,TE-
 93084,E/#39989,,,,,,,,,I
 24,1,,119260-02870,, "BEARING,THRUST .25US",4,4,,,,,1,,,,,,,,



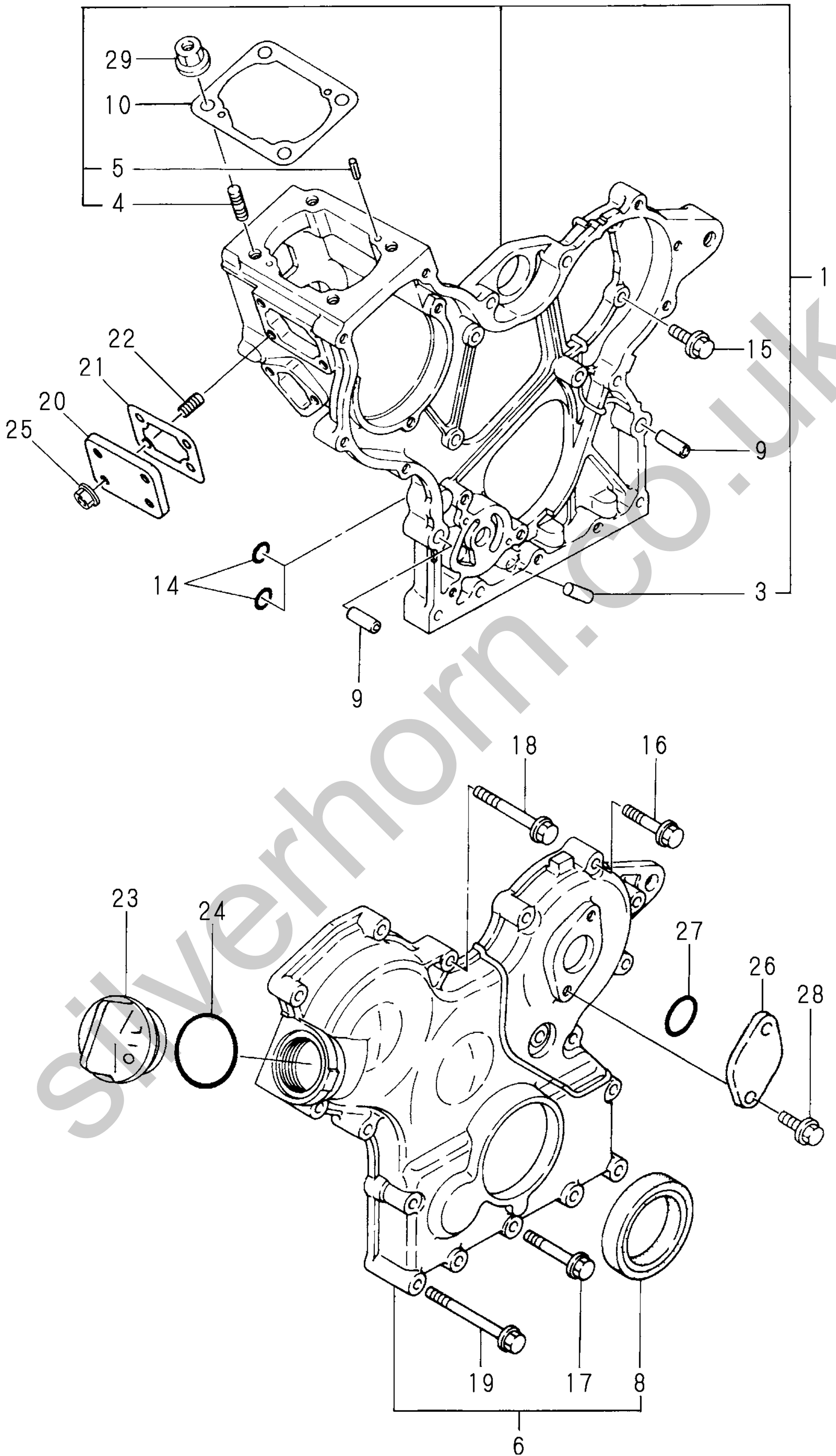


UK

REFER TO Fig. 6

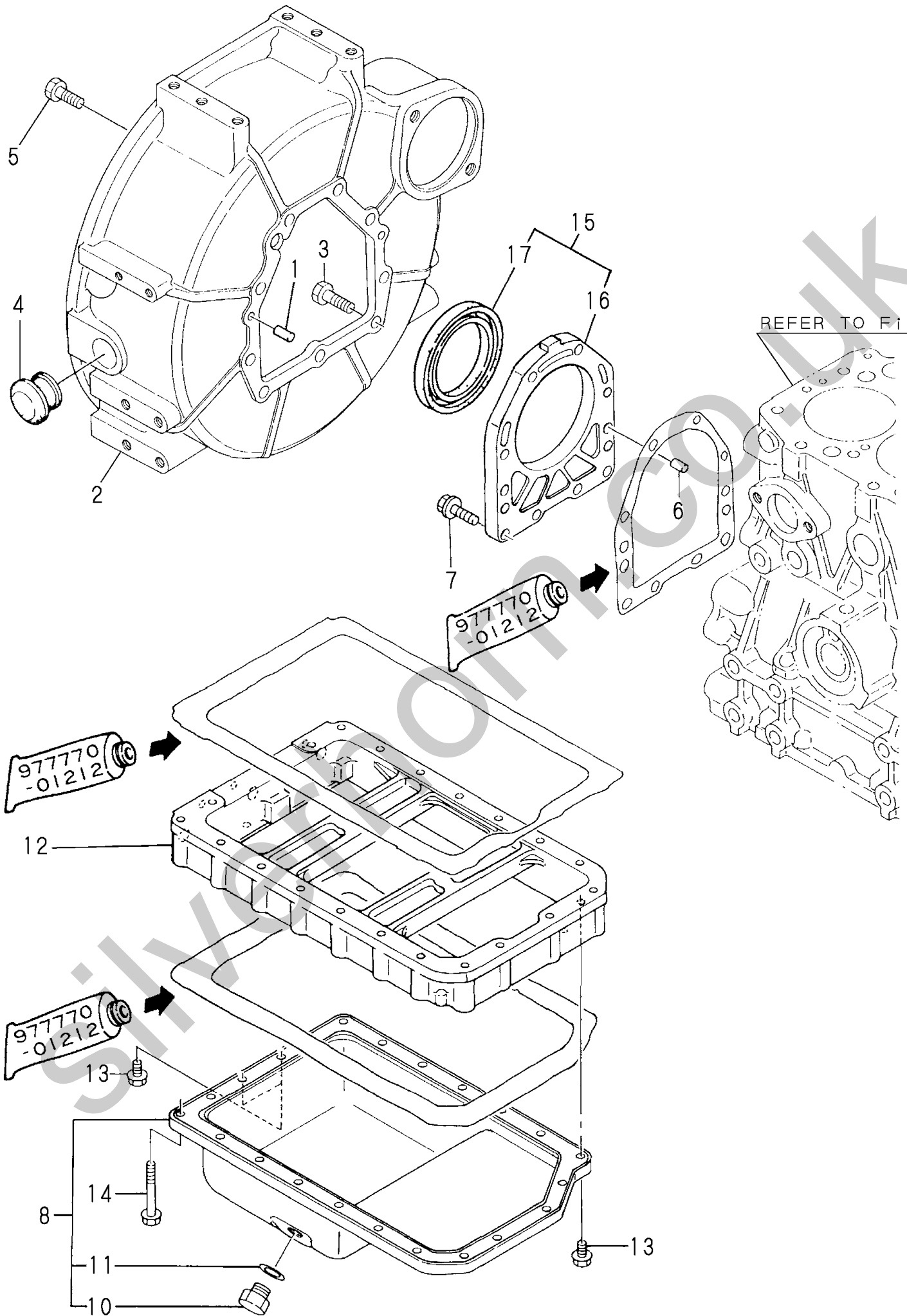
1,1,,119260-01490,, "HOUSING ASSY, GEAR",1,1,,,,,,,,,,,,,,,,,
3,2,,119260-01510,, PLUG,1,1,,,,,,,,,,,,,,,,,
4,2,,121450-01560,, "STUD M 8X 22",4,4,,,,,,,,,,,,,,,,,
5,2,,22351-040010,, "SPRING PIN 4X10",2,2,,,,,,,,,,,,,,,,,
6,1,,119260-01590,, "COVER ASSY,GEAR CASE",1,1,,,,,,,,,,,,,,,,,
8,2,,119620-01800,, "SEAL, OIL",1,1,,,,,,,,,,,,,,,,,
9,1,,119660-01911,, "PIPE, KNOCK",4,4,,,,,,,,,,,,,,,,,
10,1,,119620-01950,, "SHIM SET",1,,,,,,,,,,,,,,,,,
10-1,1,,119623-01950,, "SHIM PACK",1,1,,,,,N,,TN-94422,E/#46256,,,,,,I
14,1,,24311-000120,, "O-RING 1A P 12.0",2,,,,,,,,,,,,,,,,,
14-1,1,,119624-32040,, "O-RING P 12.0",2,2,,,,,N,,TN-01109,E/#64371,,,,,,I
15,1,,26106-060162,, "BOLT M 6X 16 PLATED",5,5,,,,,,,,,,,,,,,,,
16,1,,26106-060302,, "BOLT M 6X 30 PLATED",5,5,,,,,,,,,,,,,,,,,
17,1,,26106-060402,, "BOLT M 6X 40 PLATED",3,3,,,,,,,,,,,,,,,,,
18,1,,26106-060502,, "BOLT M 6X 50 PLATED",4,4,,,,,,,,,,,,,,,,,
19,1,,26106-060652,, "BOLT M 6X 65 PLATED",6,6,,,,,,,,,,,,,,,,,
20,1,,119660-01551,, COVER,1,1,,,,,,,,,,,,,,,,,
21,1,,119660-01562,, "GASKET, (NON-ASB.)",1,1,,,,,,,,,,,,,,,,,
22,1,,119660-01570,, "STUD M6X12",4,4,,,,,,,,,,,,,,,,,
23,1,,124160-01751,, "COVER, FILLER",1,1,,,,,,,,,,,,,,,,,
24,1,,24311-000320,, "O-RING 1A P-32.0",1,1,,,,,,,,,,,,,,,,,
25,1,,26366-060002,, "NUT M 6",4,4,,,,,,,,,,,,,,,,,
26,1,,121023-01550,, "COVER, BLIND",1,1,,,,,,,,,,,,,,,,,
27,1,,24341-000240,, "O-RING 1A S-24.0",1,1,,,,,,,,,,,,,,,,,
28,1,,26106-060182,, "BOLT M 6X 18 PLATED",2,,,,,,,,,,,,,,,,,
28-1,1,,26106-060162,, "BOLT M 6X 16 PLATED",2,2,,,,,N,,*,EXXX,,,,,,I
29,1,,194990-22050,, "NUT W/WASHER 8",4,4,,,,,,,,,,,,,,,,,





1,1,,129100-01580,, "PARALLEL PIN 8X16",2,2,,,,,,,,,,,,,,,,,
2,1,,119260-01600,, "HOUSING, FLYWHEEL",1,,,,,,,,,,,,,,,,,
2-1,1,,119230-01600,, "HOUSING,FLYWHEEL",1,1,,,,,N,,TN-00068,E/#64371,,,,,,,,,I
3,1,,121120-01620,, "BOLT M 10X 28",3,3,,,,,,,,,,,,,,,,,
4,1,,119620-01750,, "CAP, FLYWHEEL COVER",1,1,,,,,,,,,,,,,,,,,
5,1,,26206-100252,, "BOLT M10X25",6,6,,,,,,,,,,,,,,,,,
6,1,,119620-01620,, "PARALLEL PIN 6X10",2,2,,,,,,,,,,,,,,,,,
7,1,,26106-060222,, "BOLT M 6X 22 PLATED",10,10,,,,,,,,,,,,,,,,,
8,1,,119462-01770,, "SUMP ASSY, LUB. OIL",1,1,,,,,,,,,,,,,,,,,
10,2,,23887-120002,, "PLUG 12,HEX.",1,,,,,,,,,,,,,,,,,
10-1,2,,129054-01640,, "DRAIN PLUG",1,1,,,,,R,,TE-00002,E/#64327,,,,,,,,,I
11,2,,43400-500450,, "SEAL WASHER 12S",1,,,,,,,,,,,,,,,,,
11-1,2,,22190-120002,, "SEAL WASHER 12",1,1,,,,,N,,TN-93179,"E/# 39494",,,,,,,,,,
12,1,,119454-01721,, "SPACER, OIL SUMP",1,1,,,,,,,,,,,,,,,,,
13,1,,26106-060122,, "BOLT M 6X 12 PLATED",3,3,,,,,,,,,,,,,,,,,
14,1,,26106-060452,, "BOLT M 6X 45 PLATED",20,20,,,,,,,,,,,,,,,,,
15,1,,119660-01640,, "CASE ASSY, OIL SEAL",1,1,,,,,,,,,,,,,,,,,
16,2,,119660-01651,, "HOUSING, OIL SEAL",1,1,,,,,,,,,,,,,,,,,
17,2,,124085-02220,, "SEAL, OIL",1,1,,,,,,,,,,,,,,,,,

Silverhorn.CO.UK

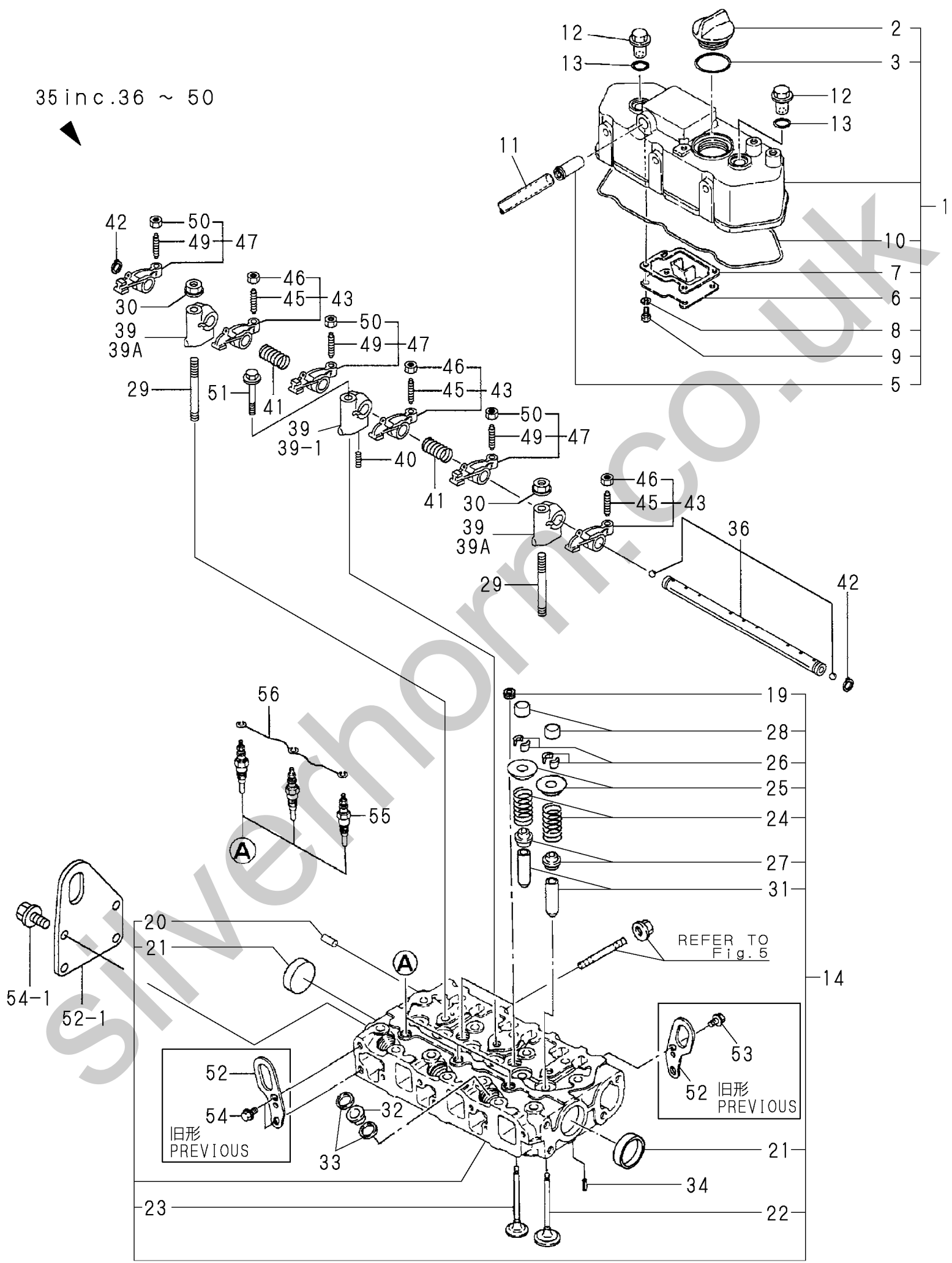


1,1,,719370-11520,, "BONNET ASSY.",1,,,,,,,,,,,,,,,,,,,,,
1-1,1,,119260-11330,, "BONNET ASSY,(NON-ASB",1,,,,,,N,,NF-90014,"FROM
1ST",,,,,,,,,,,,,
1-2,1,,119260-11331,, "BONNET ASSY",1,1,,,,,N,,TN-99183,E/#63760,,,,,,,,,,,,,I
2,2,,124160-01751,, "COVER,FILLER",1,1,,,,,,,,,,,,,,,,,,,,,
3,2,,24311-000320,, "O-RING 1A P-32.0",1,1,,,,,,,,,,,,,,,,,,,,,
5,2,,119620-11390,,JOINT,1,,,,,,,,,,,,,,,,,,,,,
5-1,2,,118400-03060,, "JOINT, BREATHER",1,1,,,,,R,,TN-98122,E/#61719,,,,,,,,,,,,,I
6,2,,119260-03020,, "PLATE, SHELTER",1,1,,,,,,,,,,,,,,,,,,,,,
7,2,,119260-03031,, "GASKET, (NON-ASB.)",1,1,,,,,,,,,,,,,,,,,,,,,
8,2,,22217-050000,, "SPRING WASHER 5",4,,,,,,Z,,TN-97153,E/#58999,,,,,,,,,,,,,I
9,2,,26557-050102,, "SCREW M 5X 10",4,,,,,,,,,,,,,,,,,,,,,
9-1,2,,22857-500100,, "SCREW 5X10,TAPPING",4,4,,,,,R,,TN-
97153,E/#58999,,,,,,,,,,,,,I
10,2,,119260-11310,, "GASKET, BONNET",1,1,,,,,,,,,,,,,,,,,,,,,
11,1,,23065-120650,, "PIPE, VINYL 12X 650",1,1,,,,,,,,,,,,,,,,,,,,,
12,1,,124160-11360,,KNOB,2,2,,,,,,,,,,,,,,,,,,,,,
13,1,,24311-000120,, "O-RING 1A P 12.0",2,2,,,,,,,,,,,,,,,,,,,,,
14,1,,719260-11700,, "HEAD ASSY, CYLINDER",1,1,,,,,,,,,,,,,,,,,,,,,
19,3,,121850-11860,, "PLUG PT1/4",2,,,,,,,,,,,,,,,,,,,,,
19-1,3,,23871-020000,, "PLUG PT1/4,SCREW",2,,,,,,N,,GP-91002,"E/# 26616",,,,,,,,,,,,,,
19-2,3,,23876-030000,, "PLUG PT3/8,SCREW",2,2,,,,,N,,*,EXXX,,,,,,,,,,,,,I
20,3,,27221-050080,, "PLUG 5X 8",1,1,,,,,,,,,,,,,,,,,,,,,
21,3,,27241-350000,, "PLUG 35",2,2,,,,,,,,,,,,,,,,,,,,,
22,2,,119260-11100,, "VALVE, SUCTION",3,3,,,,,,,,,,,,,,,,,,,,,
23,2,,119260-11110,, "VALVE, EXHAUST",3,3,,,,,,,,,,,,,,,,,,,,,
24,2,,114250-11120,, "SPRING, VALVE",6,6,,,,,,,,,,,,,,,,,,,,,
25,2,,114250-11180,, "RETAINER, SPRING",6,6,,,,,,,,,,,,,,,,,,,,,
26,2,,114250-11190,,COTTER,12,,,,,,,,,,,,,,,,,,,,,
26-1,2,,27310-055000,, "COTTER 5.5",12,,,,,,N,,NF-94018,"E/# 45574",,,,,,,,,,,,,,
26-2,2,,27310-055001,,COTTER,6,6,,,,,,N,,*,EXXX,,,,,,,,,,,,,I
27,2,,119260-11340,, "SEAL, VALVE STEM",6,6,,,,,,,,,,,,,,,,,,,,,
28,2,,119260-11370,, "CAP, VALVE",6,6,,,,,,,,,,,,,,,,,,,,,
29,1,,119620-11350,,STUD,2,2,,,,,,,,,,,,,,,,,,,,,
30,1,,26366-080002,, "NUT M 8",2,,,,,,,,,,,,,,,,,,,,,
30-1,1,,26306-080002,, NUT,2,2,,,,,R,,JH-01017,E/#64371,,,,,,,,,,,,,I
31,1,,119260-11800,, "GUIDE, VALVE",6,6,,,,,,1,,,,,,,,,,,,,
32,1,,119600-11450,, "PROTECTOR, NOZZLE",3,3,,,,,,,,,,,,,,,,,,,,,
33,1,,119600-11460,, "GASKET, NOZZLE",6,6,,,,,,,,,,,,,,,,,,,,,
34,1,,22351-060012,, "SPRING PIN 6X12",2,2,,,,,,,,,,,,,,,,,,,,,
35,1,,119260-11200,, "SUPPORT ASSY, ARM",1,1,,,,,,,,,,,,,,,,,,,,,
36,2,,119260-11240,, "SHAFT ASSY, ARM",1,1,,,,,,,,,,,,,,,,,,,,,
39,2,,119260-11260,, "SUPPORT, ROCKER ARM",3,,,,,,,,,,,,,,,,,,,,,
39-1,2,,119260-11260,, "SUPPORT, ROCKER ARM",1,1,,,,,K,,TN-
95430,E/#52059,,,,,,,,,,,,,I
39A,2,,119265-11260,, "SUPPORT, ROCKER ARM",2,2,,,,,W,,TN-
95430,E/#52059,,,,,,,,,,,,,I
40,2,,119260-11270,,SCREW,1,1,,,,,,,,,,,,,,,,,,,,,
41,2,,119260-11280,,SPRING,2,2,,,,,,,,,,,,,,,,,,,,,
42,2,,22242-000100,, "CIRCLIP 10",2,2,,,,,,,,,,,,,,,,,,,,,
43,2,,719260-11650,, "ARM ASSY, ROCKER",3,3,,,,,,,,,,,,,,,,,,,,,
45,3,,105010-11230,, "SCREW, VALVE",3,3,,,,,,,,,,,,,,,,,,,,,
46,3,,26756-060002,, "LOCK NUT 6",3,3,,,,,,,,,,,,,,,,,,,,,
47,2,,719260-11660,, "ARM ASSY, ROCKER",3,3,,,,,,,,,,,,,,,,,,,,,
49,3,,105010-11230,, "SCREW, VALVE",3,3,,,,,,,,,,,,,,,,,,,,,
50,3,,26756-060002,, "LOCK NUT 6",3,3,,,,,,,,,,,,,,,,,,,,,
51,1,,26106-080452,, "BOLT M 8X 45 PLATED",1,1,,,,,,,,,,,,,,,,,,,,,
52,1,,119260-07900,, "LIFTER, ENGINE",2,,,,,,,,,,,,,,,,,,,,,
52-1,1,,119632-07900,, "LIFTER, ENGINE",1,1,,,,,S,2,,*,EXXX,,,,,,,,,,,,,I
53,1,,26106-080142,, "BOLT M 8X 14 PLATED",1,,,,,,Z,,*,EXXX,,,,,,,,,,,,,I
54,1,,26106-080142,, "BOLT M 8X 14 PLATED",2,,,,,,,,,,,,,,,,,,,,,
54-1,1,,26106-060122,, "BOLT M 6X 12 PLATED",4,4,,,,,S,2,,*,EXXX,,,,,,,,,,,,,I
55,1,,129155-77801,, "PLUG, GLOW",3,3,,,,,,,,,,,,,,,,,,,,,

56,1,,119620-77820,, "CONNECTOR, GLOW PLUG",1,1,,,,,,,,,,,,,,,,,,,,,

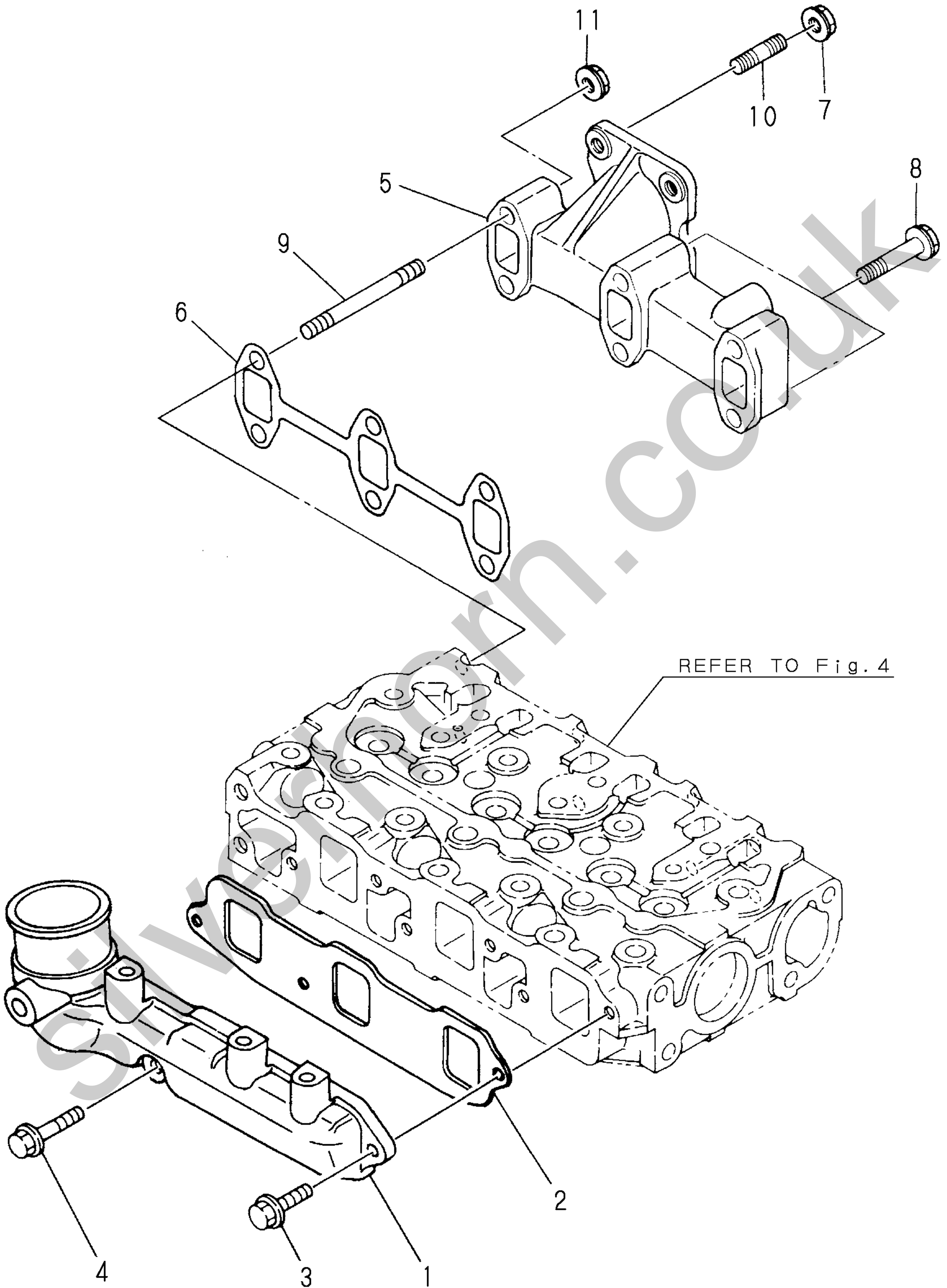
Silverhorn.CO.UK

35 inc.36 ~ 50



1,1,,119270-12100,, "MANIFOLD, SUCTION",1,,,,,,,,,,,,,
1-1,1,,119275-12100,, "MANIFOLD, SUCTION",1,,,,,,N,,*,EXXX,,,,,,,,,,,,,I
1-2,1,,119275-12101,, "MANIFOLD, INTAKE",1,1,,,,,,N,,TN-99382,E/#64103,,,,,,,,,,,,,I
2,1,,119270-12110,, "GASKET, SUC.MANIFOLD",1,1,,,,,,,,,,,,,
3,1,,26106-060162,, "BOLT M 6X 16 PLATED",2,2,,,,,,,,,,,,,
4,1,,26106-060282,, "BOLT M 6X 28 PLATED",1,1,,,,,,,,,,,,,
5,1,,119260-13100,, "MANIFOLD, EXHAUST",1,1,,,,,,,,,,,,,
6,1,,119260-13110,, "GASKET, EXH.MANIFOLD",1,1,,,,,,,,,,,,,
7,1,,194990-22050,, "NUT W/WASHER 8",4,,,,,,,,,,,,,
7-1,1,,26306-080002,, "NUT,4,4,,,,,,R,,JH-01017,E/#64371,,,,,,,,,,,,,I
8,1,,26106-060352,, "BOLT M 6X 35 PLATED",4,,,,,,,,,,,,,
8-1,1,,119265-13830,, "BOLT M6X35 PLATED",4,4,,,,,,N,,TN-
02109,E/#64103,,,,,,,,,,,,,I
9,1,,26216-060402,, "STUD M 6X 40 PLATED",2,,,,,,,,,,,,,
9-1,1,,119265-13810,, "STUD M 6X 40 PLATED",2,2,,,,,,N,,TN-
02109,E/#64103,,,,,,,,,,,,,I
10,1,,26216-080222,, "STUD M 8X 22 PLATED",4,,,,,,,,,,,,,
10-1,1,,119131-18320,, "BOLT M 8X 22",4,4,,,,,,N,,TN-02109,E/#64103,,,,,,,,,,,,,I
11,1,,26366-060002,, "NUT M 6",2,,,,,,,,,,,,,
11-1,1,,119265-13800,, "NUT M 6",2,2,,,,,,N,,TN-02109,E/#64103,,,,,,,,,,,,,I

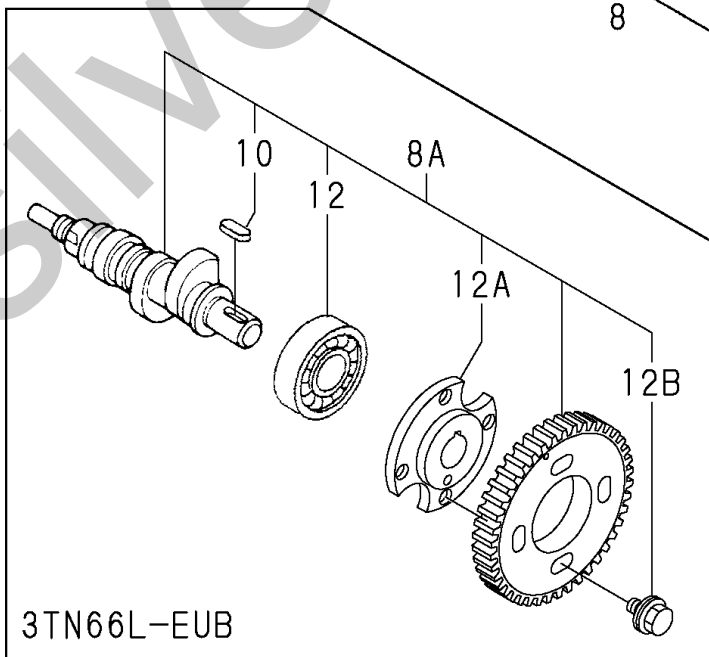
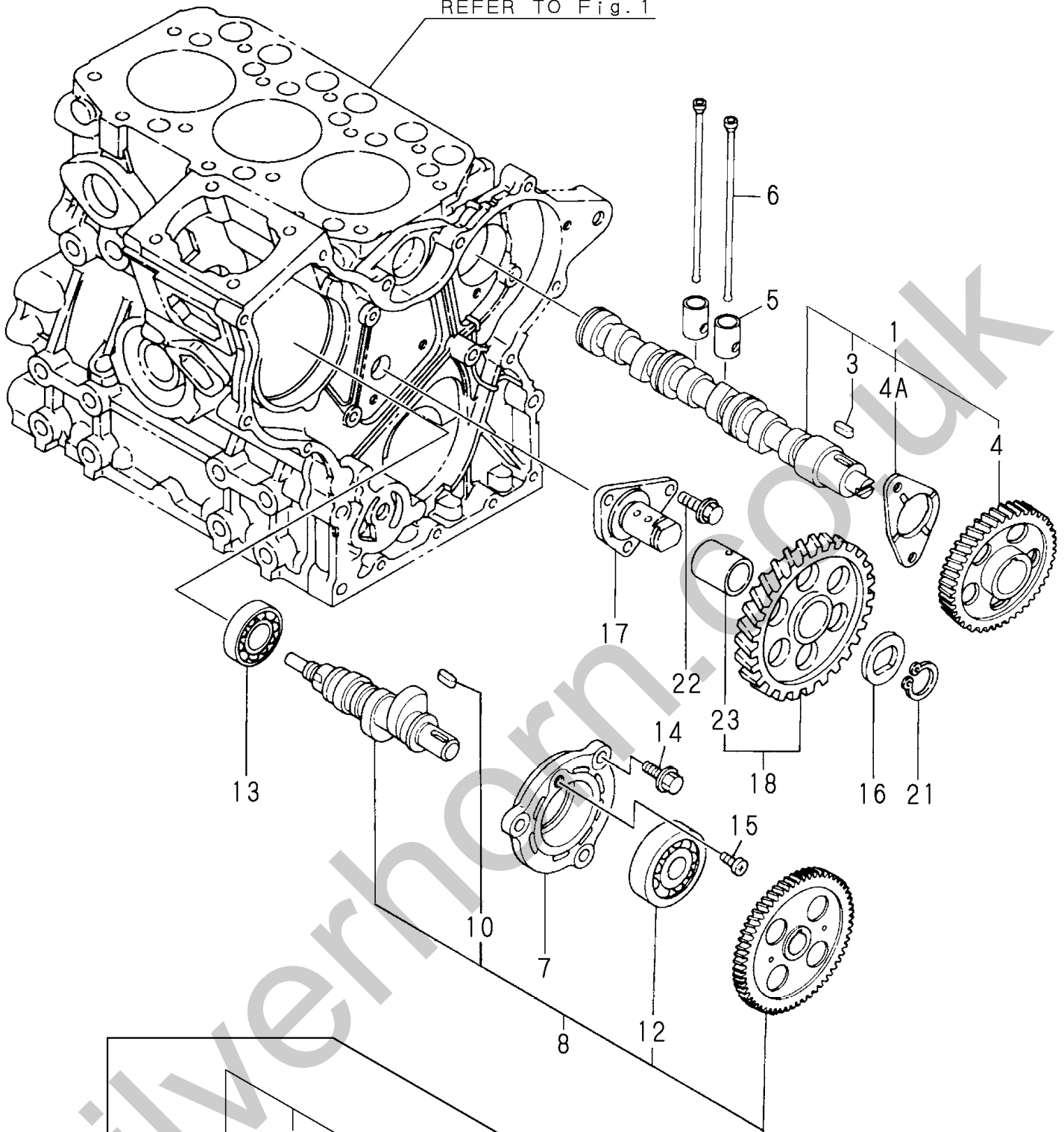




1,1,,719260-14580,, "CAMSHAFT ASSY",1,1,,,,,,,,,,,,,,,,,
1-1,1,,119260-14580,, "CAMSHAFT ASSY",1,1,,,,,N,,NF-90014,"FROM 1ST",,,,,,,,,,
3,2,,22512-040120,, "KEY 4X 12",1,1,,,,,,,,,,,,,,,,,
4,2,,119260-14100,, "GEAR, CAMSHAFT",1,1,,,,,,,,,,,,,,,,,
4A,2,,119620-02450,, "BEARING, THRUST",1,1,,,,,,,,,,,,,,,,,
5,1,,119260-14200,, TAPPET,6,6,,,,,,,,,,,,,,,,,
6,1,,119260-14400,, "ROD, PUSH",6,6,,,,,,,,,,,,,,,,,
7,1,,119660-01821,, "BEARING, FUEL CAM.",1,,,,,,,,,,,,,,,,,
8,1,,119225-14200,, "CAM ASSY, F.I. PUMP",1,,,,,,,,,,,,,,,,,
8A,1,,119225-14210,, "CAM ASSY, F.I. PUMP",1,,,,,,,,,,,,,,,,,
10,2,,22512-040120,, "KEY 4X 12",1,1,,,,,,,,,,,,,,,,,
12,2,,24102-063034,, "BALL BEARING 6303U",1,1,,,,,,,,,,,,,,,,,
12A,2,,119660-25920,, FLANGE,1,,,,,,,,,,,,,,,,,
12B,2,,119660-25930,, "THREAD, FI-P GEAR",4,,,,,,,,,,,,,,,,,
13,2,,24101-062034,, "BALL BEARING",1,,,,,,,,,,,,,,,,,
14,1,,26106-060162,, "BOLT M 6X 16 PLATED",3,,,,,,,,,,,,,,,,,
15,1,,26587-080102,, "SCREW M 8X 10",1,,,,,,,,,,,,,,,,,
16,1,,119660-25022,, "RETAINER, IDLE GEAR",1,1,,,,,,,,,,,,,,,,,
17,1,,119660-25052,, "SHAFT, IDLE GEAR",1,1,,,,,,,,,,,,,,,,,
18,1,,119260-25100,, "GEAR W/BUSH, IDLE",1,1,,,,,,,,,,,,,,,,,
21,1,,22242-000200,, "CIRCLIP 20",1,1,,,,,,,,,,,,,,,,,
22,1,,26106-060122,, "BOLT M 6X 12 PLATED",3,3,,,,,,,,,,,,,,,,,
23,1,,119260-25912,, BUSH,1,1,,,,,1,,,,,,,,,,,,,,,,

Silverhorn.CO.UK

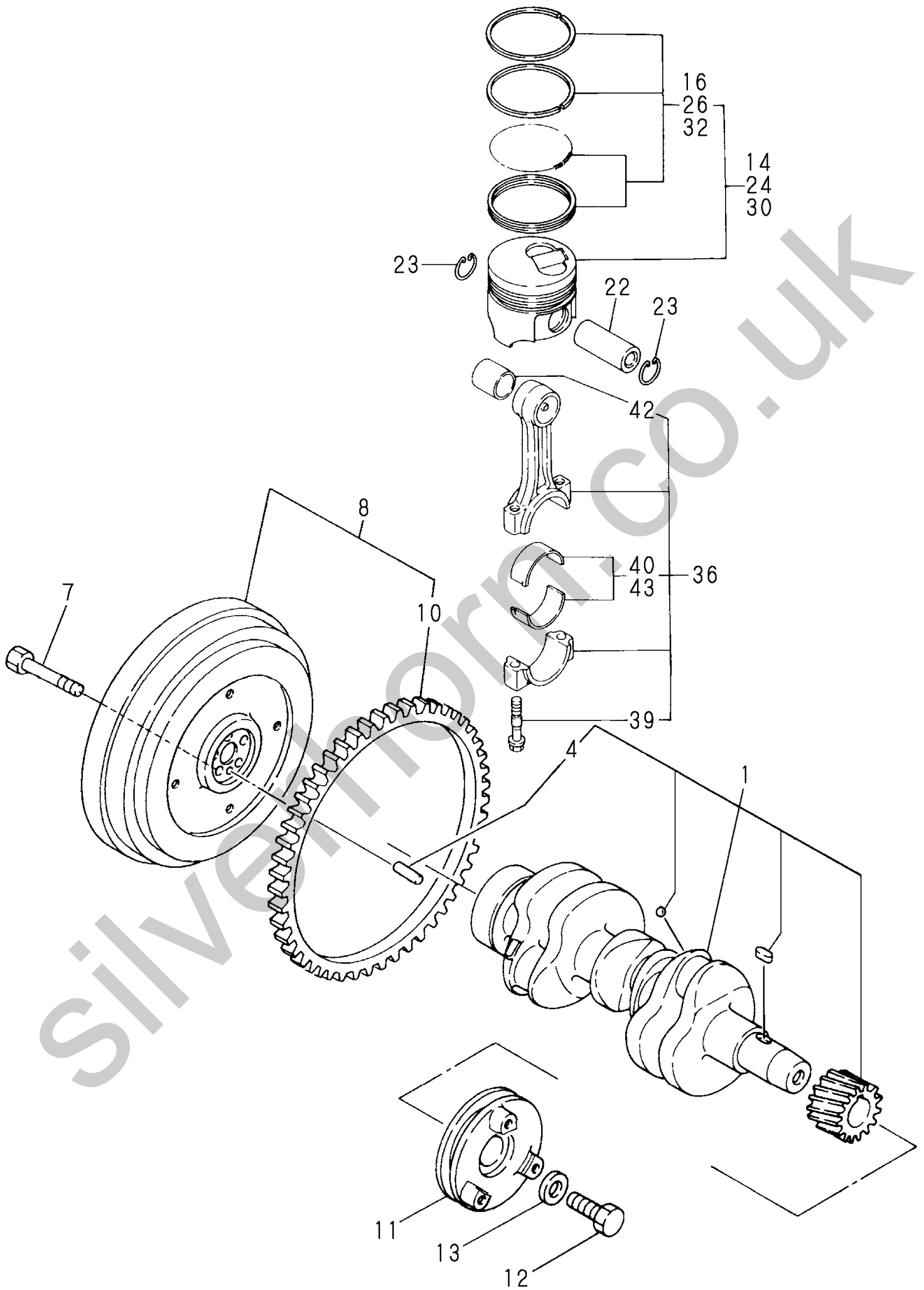
REFER TO Fig. 1



3TN66L-EUB

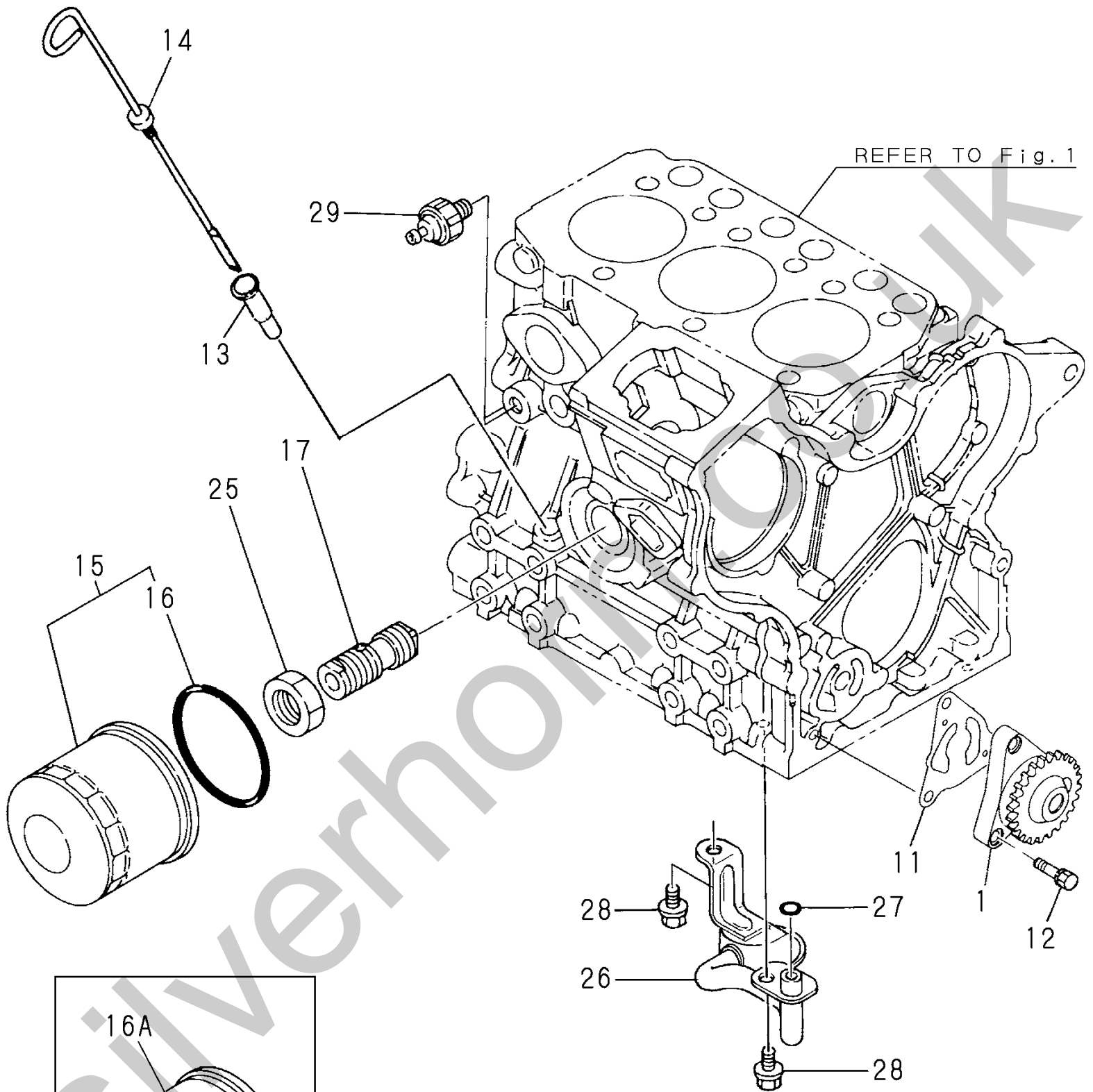
1,1,,719260-21700,, "CRANKSHAFT ASSY",1,1,,,,,,,,,,,,,,,,,,,,,
 4,2,,129100-01580,, "PARALLEL PIN 8X16",1,1,,,,,,,,,,,,,,,,,,,,,
 7,1,,121111-21501,, "BOLT, FLYWHEEL",5,5,,,,,,,,,,,,,,,,,,,,,
 8,1,,119260-21590,, "FLYWHEEL ASSY",1,1,,,,,,,,,,,,,,,,,,,,,
 10,2,,124950-21600,, "GEAR, RING",1,1,,,,,,,,,,,,,,,,,,,,,
 11,1,,119230-21650,, V-PULLEY,1,,,,,,,,,,,,,,,,,,,,,
 11-1,1,,119230-21651,, V-PULLEY,1,1,,,,,N,,TN-90225,"E/# 26242",,,,,,
 12,1,,119621-21680,, "BOLT M12X1.25,FLANGE",1,1,,,,,,,,,,,,,,,,,,,,,
 13,1,,119620-21941,, WASHER,1,1,,,,,,,,,,,,,,,,,,,,,
 14,1,,119270-22091,, "PISTON W/RING",3,3,,,,,,,,,,,,,,,,,,,,,
 16,2,,719270-22501,, "RING SET",3,3,,,,,,,,,,,,,,,,,,,,,
 22,1,,119260-22300,, "PIN, PISTON",3,3,,,,,,,,,,,,,,,,,,,,,
 23,1,,105225-22400,, CIRCLIP,6,6,,,,,,,,,,,,,,,,,,,,,
 24,1,,719270-22821,, "PISTON W/RING OS=.25",3,3,,,,,1,,,,,,,,,,,,,
 26,2,,719270-22541,, "RING SET O.S=0.25",3,3,,,,,1,,,,,,,,,,,,,
 30,1,,119270-22920,, "PISTON W/RING OS=0.5",3,3,,,,,2,,,,,,,,,,,,,
 32,2,,719270-22541,, "RING SET O.S=0.25",3,,,,,2,,,,,,,,,,,,,
 32-1,2,,119270-22970,, "RING SET O.S=0.5",3,3,,,,,N,2,*,"FROM 1ST",,,,,,
 36,1,,719260-23100,, "ROD ASSY, CONNECTING",3,,,,,,,,,,,,,,,,,,,,,
 36-1,1,,119265-23100,, "ROD ASSY, CONNECTING",3,3,,,,,R,,TN-
 95006,E/#49441,,,,,,,,,,,,,I
 39,2,,119260-23200,, "BOLT, ROD",6,,,,,,,,,,,,,,,,,,,,,
 39-1,2,,119265-23200,, "BOLT, ROD",6,6,,,,,R,,TN-95006,E/#49441,,,,,,,,,,,,,I
 40,2,,719260-23600,, "BEARING, CRANKPIN",3,3,,,,,,,,,,,,,,,,,,,,,
 42,1,,119260-23910,, "BUSH, PISTON PIN",3,3,,,,,3,,,,,,,,,,,,,
 43,1,,719260-23610,, "BEARING,PIN U.S=0.25",3,3,,,,,4,,,,,,,,,,,,,





1,1,,119260-32000,, "PUMP ASSY, LUB. OIL",1,1,,,,,,,,,,,,,
11,1,,119660-32020,, "GASKET, L.O.PUMP",1,1,,,,,,,,,,,,,
12,1,,26013-060202,, "BOLT M 6X 20",3,,,,,,,,,,,,,
12-1,1,,26450-060202,, "BOLT M 6X 20",3,3,,,,,N,,TE-91009,"E/# 26616",,,,,,,,,,
13,1,,119860-34810,, "GUIDE, DIPSTICK",1,1,,,,,,,,,,,,,
14,1,,119462-34800,, DIPSTICK,1,1,,,,,,,,,,,,,
15,1,,119660-35150,, "FILTER, LUB. OIL",1,,,,,,,,,,,,,
16,2,,124450-35110,, "O-RING, L.O.STRAINER",1,,,,,,,,,,,,,
16A,1,,119305-35150,, "FILTER, LUB. OIL",1,,,,,,,,,,,,,I
17,1,,119225-35300,, "VALVE ASSY,OIL PRESS",1,1,,,,,,,,,,,,,
25,1,,129150-35350,, NUT,1,1,,,,,,,,,,,,,
26,1,,119462-35080,, "PIPE ASSY, L.O.INLET",1,1,,,,,,,,,,,,,
27,1,,24311-000120,, "O-RING 1A P 12.0",1,,,,,,,,,,,,,
27-1,1,,24311-000110,, "O-RING 1A P-11.0",1,,,,,N,,TN-96093,E/#56631,,,,,,,,,I
27-2,1,,119209-35030,, O-RING,1,1,,,,,N,,TN-97042,E/#57761,,,,,,,,,I
28,1,,26106-060122,, "BOLT M 6X 12 PLATED",2,2,,,,,,,,,,,,,
29,1,,124160-39450,, "SWITCH, OIL PRESSURE",1,,,,,,,,,,,,,
29-1,1,,114250-39450,, "SWITCH,(0.5KG)L.O.",1,1,,,,,N,,TN-
99263,E/#63898,,,,,,,,,I

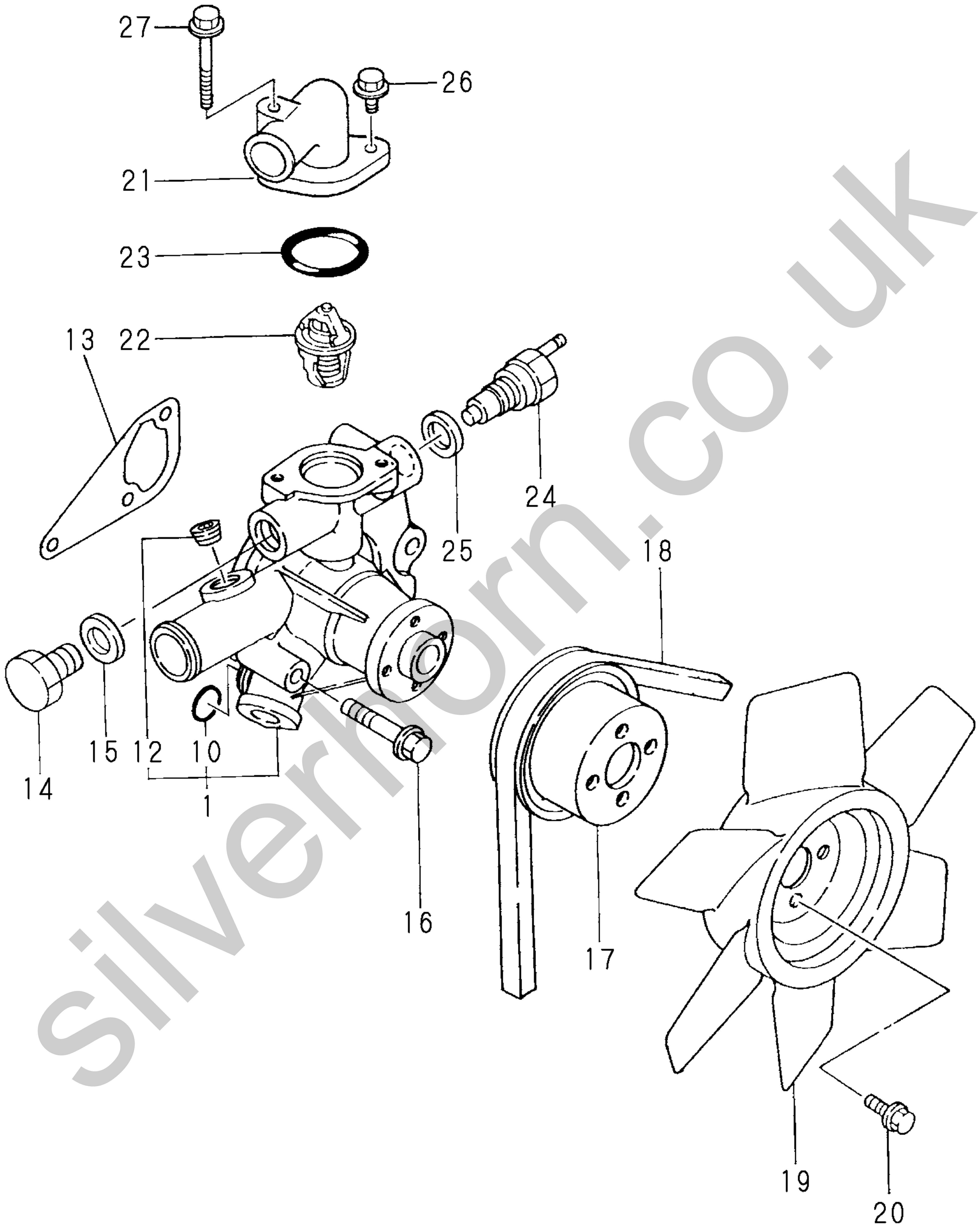




3TN66L-EUB

1,1,,119244-42000,, "PUMP ASSY,C.W",1,,,,,,,,,,,,,,,,,,,,,
1-1,1,,119244-42001,, "PUMP ASSY, C. WATER",1,1,,,,,N,,TN-
96195,E/#54972,,,,,,,,,,,,,I
10,2,,119225-42320,,O-RING,1,1,,,,,,,,,,,,,,,,,,,,,
12,2,,23871-030000,, "PLUG PT3/8,SCREW",1,,,,,,,,,,,,,,,,,,,,,
12-1,2,,23876-030000,, "PLUG PT3/8,SCREW",1,1,,,,,N,,*,EXXX,,,,,,,,,,,,,I
13,1,,119260-42020,, "GASKET, C.W. PUMP",1,,,,,,,,,,,,,,,,,,,,,
13-1,1,,119260-42021,, "GASKET, C.W.",1,1,,,,,N,,TN-99337,E/#64247,,,,,,,,,,,,,I
14,1,,121450-42450,, "PLUG M16",1,1,,,,,,,,,,,,,,,,,,,,,
15,1,,124465-44950,, "GASKET 16",1,1,,,,,,,,,,,,,,,,,,,,,
16,1,,26106-080452,, "BOLT M 8X 45 PLATED",3,3,,,,,,,,,,,,,,,,,,,,,
17,1,,119620-42350,, "V-PULLEY, C.W. PUMP",1,1,,,,,,,,,,,,,,,,,,,,,
18,1,,119620-42291,,V-BELT,1,1,,,,,,,,,,,,,,,,,,,,,
19,1,,119332-44740,, "FAN (D260)",1,1,,,,,,,,,,,,,,,,,,,,,
20,1,,26014-060142,, "BOLT M 6X 14",4,4,,,,,,,,,,,,,,,,,,,,,
21,1,,119256-49530,, "COVER, THERMOSTAT",1,,,,,,,,,,,,,,,,,,,,,
21-1,1,,119256-49531,, "COVER, THERMOSTAT",1,1,,,,,N,,TN-
01303,E/#64371,,,,,,,,,,,,,I
22,1,,119260-49800,, "THERMOSTAT (71 β C",1,,,,,,,,,,,,,,,,,,,,,
22-1,1,,119260-49801,,THERMOSTAT,1,1,,,,,N,,TN-01252,E/#64371,,,,,,,,,,,,,I
23,1,,24321-000350,, "O-RING 1A G-35.0",1,,,,,,,,,,,,,,,,,,,,,
23-1,1,,119209-42140,, "O_RING,COVER_THERMOS",1,1,,,,,N,,TN-
99429,E/#64371,,,,,,,,,,,,,I
24,1,,121250-44901,, "SWITCH, THERMO(110 β C",1,1,,,,,,,,,,,,,,,,,,,,,
25,1,,124465-44950,, "GASKET 16",1,,,,,,,,,,,,,,,,,,,,,
26,1,,26106-060162,, "BOLT M 6X 16 PLATED",1,1,,,,,,,,,,,,,,,,,,,,,
27,1,,26106-060552,, "BOLT M 6X 55 PLATED",1,1,,,,,,,,,,,,,,,,,,,,,



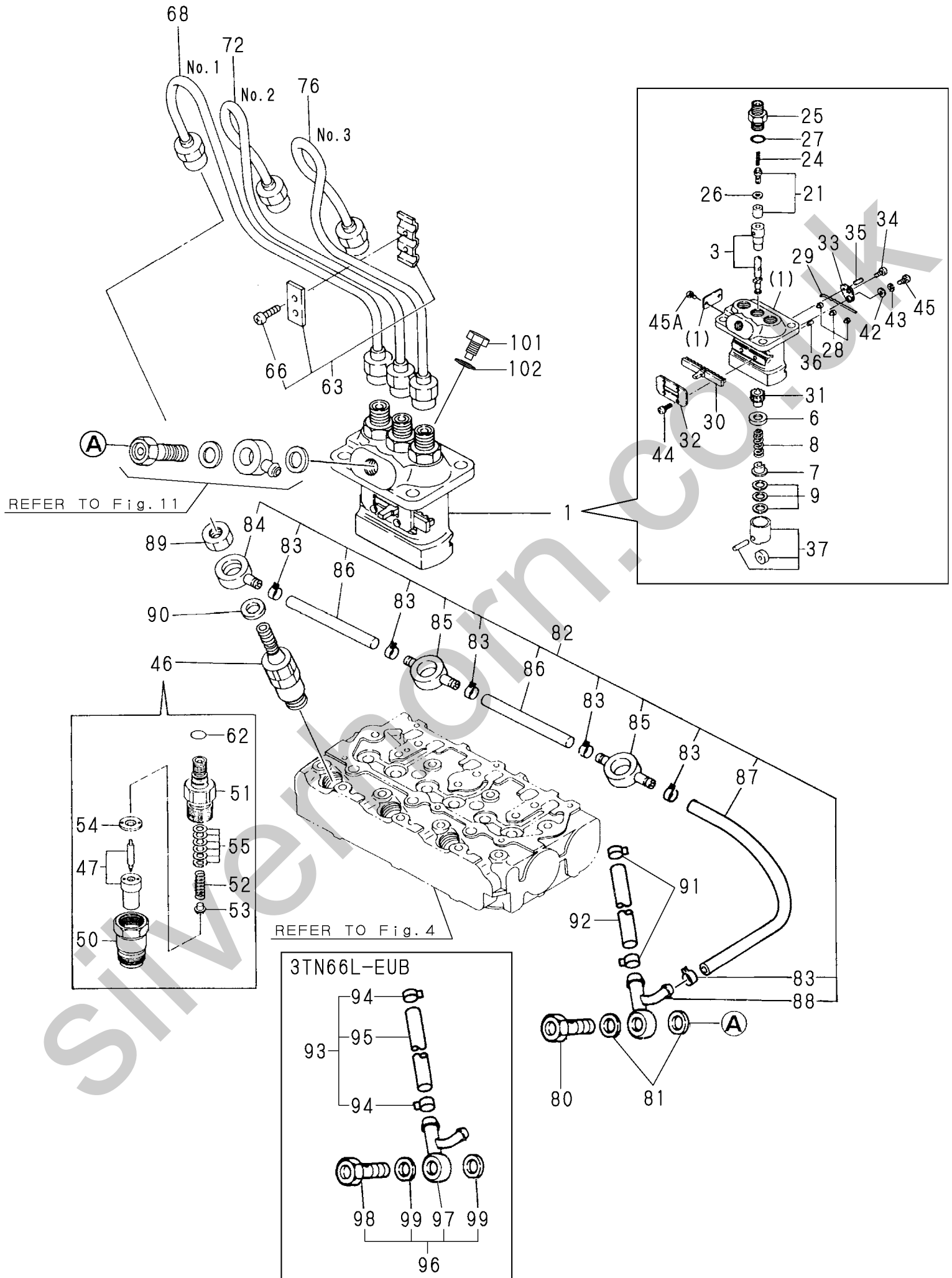


Silverfern.com.co.uk

1,1,,719225-51700,, "PUMP ASSY, F.INJECT.",1,,,,,,,,,,,,,,,,,,,,,
1-1,1,,719225-51100,, "PUMP ASSY, F.INJECT.",1,,,,,,N,,*, "FROM 1ST",,,,,,,,,,,,,,
1-2,1,,719266-51100,, "PUMP ASSY, F.INJECT.",1,1,,,,,,N,,TN-
00039,E/#64327,,,,,,,,,,,,,I
3,2,,119225-51100,, "PLUNGER W/BARREL",3,3,,,,,,,,,,,,,,,,,,,,,
6,2,,119620-51170,, RETAINER,3,3,,,,,,,,,,,,,,,,,,,,,
7,2,,119620-51180,, RETAINER,3,3,,,,,,,,,,,,,,,,,,,,,
8,2,,119620-51190,, "SPRING, PLUNGER",3,3,,,,,,,,,,,,,,,,,,,,,
9,2,,119620-51250,, "SHIM PACK",3,3,,,,,,,,,,,,,,,,,,,,,
21,2,,119225-51300,, "VALVE W/SEAT, DELIV.",3,3,,,,,,,,,,,,,,,,,,,,,
24,2,,105546-51330,, "SPRING, DELIV. VALVE",3,3,,,,,,,,,,,,,,,,,,,,,
25,2,,119620-51340,, "HOLDER, DELIV. VALVE",3,3,,,,,,,,,,,,,,,,,,,,,
26,2,,119620-51350,, "GASKET, DELIVERY",3,3,,,,,,,,,,,,,,,,,,,,,
27,2,,119620-51370,, O-RING,3,3,,,,,,,,,,,,,,,,,,,,,
28,2,,119620-51450,, "GUIDE, PLUNGER",3,3,,,,,,,,,,,,,,,,,,,,,
29,2,,119620-51461,, PIN,1,1,,,,,,,,,,,,,,,,,,,,,
30,2,,119660-51500,, RACK,1,1,,,,,,,,,,,,,,,,,,,,,
31,2,,119620-51510,, PINION,3,3,,,,,,,,,,,,,,,,,,,,,
32,2,,119660-51530,, "RETAINER, RACK",1,1,,,,,,,,,,,,,,,,,,,,,
33,2,,119620-51650,, PLATE,2,2,,,,,,,,,,,,,,,,,,,,,
34,2,,119620-51660,, SCREW,2,2,,,,,,,,,,,,,,,,,,,,,
35,2,,119620-51670,, PIN,2,2,,,,,,,,,,,,,,,,,,,,,
36,2,,119620-51680,, PIN,1,1,,,,,,,,,,,,,,,,,,,,,
37,2,,119620-51700,, "TAPPET ASSY",3,3,,,,,,,,,,,,,,,,,,,,,
42,2,,22137-040000,, "WASHER 4, POLISHED",2,,,,,,Z,,M1-99242,E/#64103,,,,,,,,,,,,,I
43,2,,22217-040000,, "SPRING WASHER 4",2,,,,,,Z,,M1-99242,E/#64103,,,,,,,,,,,,,I
44,2,,26022-040082,, "SCREW M 4X 8",4,4,,,,,,,,,,,,,,,,,,,,,
45,2,,26587-040102,, "SCREW M 4X 10",2,,,,,,,,,,,,,,,,,,,,,
45-1,2,,26033-040102,, "SCREW M 4X 10",2,2,,,,,,R,,M1-99242,E/#64103,,,,,,,,,,,,,I
45A,2,,102210-07990,, RIVET,2,2,,,,,,W,,M1-99242,E/#64103,,,,,,,,,,,,,I
46,1,,719620-53100,, "VALVE ASSY, F.INJECT",3,,,,,,,,,,,,,,,,,,,,,
46A,1,,719255-53100,, "FUEL INJECT.VALVE AS",3,,,,,,,,,,,,,,,,,,,,,
47,2,,119620-53000,, "NOZZLE ASSY,F.INJECT",3,3,,,,,,,,,,,,,,,,,,,,,
50,2,,119620-53080,, "NUT, VALVE W/CASE",3,3,,,,,,,,,,,,,,,,,,,,,
51,2,,119620-53100,, "HOLDER, VALVE W/CASE",3,,,,,,,,,,,,,,,,,,,,,
51A,2,,119255-53110,, "HOLDER, NOZZELE",3,,,,,,,,,,,,,,,,,,,,,
52,2,,119620-53120,, "SPRING, VALVE",3,3,,,,,,,,,,,,,,,,,,,,,
53,2,,114250-53130,, "SEAT, NOZZLE SPRING",3,3,,,,,,,,,,,,,,,,,,,,,
54,2,,119620-53140,, "SPACER, VALVE STOP",3,3,,,,,,,,,,,,,,,,,,,,,
55,2,,114250-53400,, "SHIM PACK",3,3,,,,,,,,,,,,,,,,,,,,,
62,2,,129155-61830,, "O-RING S10",3,,,,,,,,,,,,,,,,,,,,,
62-1,2,,129155-51580,, O-RING,3,,,,,,N,,N1-92072,"E/# 35420",,,,,,,,,,,,,,
62-2,2,,129155-61830,, "O-RING S10",3,3,,,,,,N,,N1-95011,E/#48554,,,,,,,,,,,,,I
63,1,,129150-59120,, "RETAINER, INJ. PIPE",1,1,,,,,,,,,,,,,,,,,,,,,
66,2,,129150-59130,, "BOLT M 4X12",2,,,,,,,,,,,,,,,,,,,,,
66-1,2,,129150-59131,, "BOLT M4X14,HEX.SCKT.",2,2,,,,,,N,,TE-93076,"E/#
42487",,,,,,,,,,,,,,
68,1,,119225-59810,, "PIPE (1),FUEL INJECT",1,1,,,,,,,,,,,,,,,,,,,,,
72,1,,119260-59820,, "PIPE (2),FUEL INJECT",1,1,,,,,,,,,,,,,,,,,,,,,
76,1,,119260-59830,, "PIPE (3),FUEL INJECT",1,1,,,,,,,,,,,,,,,,,,,,,
80,1,,124550-59820,, "BOLT 8, PIPE JOINT",1,,,,,,,,,,,,,,,,,,,,,
81,1,,23414-080012,, "GASKET 8",2,,,,,,,,,,,,,,,,,,,,,
81-1,1,,22190-080002,, "SEAL WASHER 8S",2,,,,,,N,,TN-99116,E/#63165,,,,,,,,,,,,,I
82,1,,119642-59540,, "PIPE ASSY, FUEL OVER",1,,,,,,,,,,,,,,,,,,,,,
82A,1,,119266-59540,, "PIPE ASSY, FUEL OVER",1,,,,,,,,,,,,,,,,,,,,,I
83,2,,124066-59100,, "CLAMP 8",6,6,,,,,,,,,,,,,,,,,,,,,
84,2,,119260-59520,, "JOINT (B)",1,1,,,,,,,,,,,,,,,,,,,,,
85,2,,119260-59530,, "JOINT (A)",2,2,,,,,,,,,,,,,,,,,,,,,
86,2,,105025-59550,, "PIPE, FUEL RETURN",2,2,,,,,,,,,,,,,,,,,,,,,
87,2,,119642-59550,, "PIPE, FUEL RETURN",1,,,,,,,,,,,,,,,,,,,,,
87A,2,,119000-59560,, "PIPE, FUEL RETURN",1,,,,,,,,,,,,,,,,,,,,,I
88,2,,119642-59570,, "JOINT,OVER FLOW PIPE",1,,,,,,,,,,,,,,,,,,,,,
89,1,,119620-59700,, NUT,3,3,,,,,,,,,,,,,,,,,,,,,

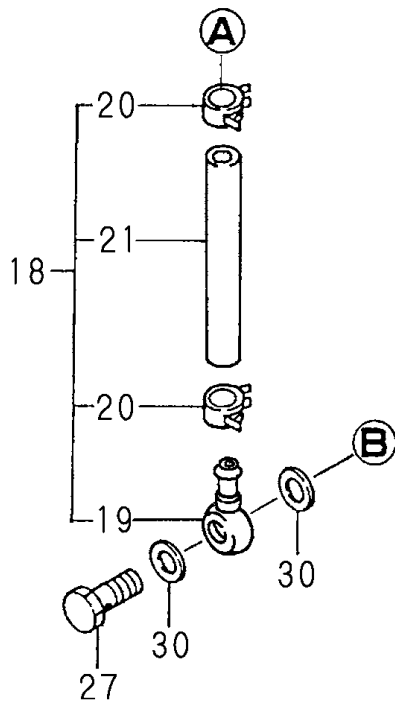
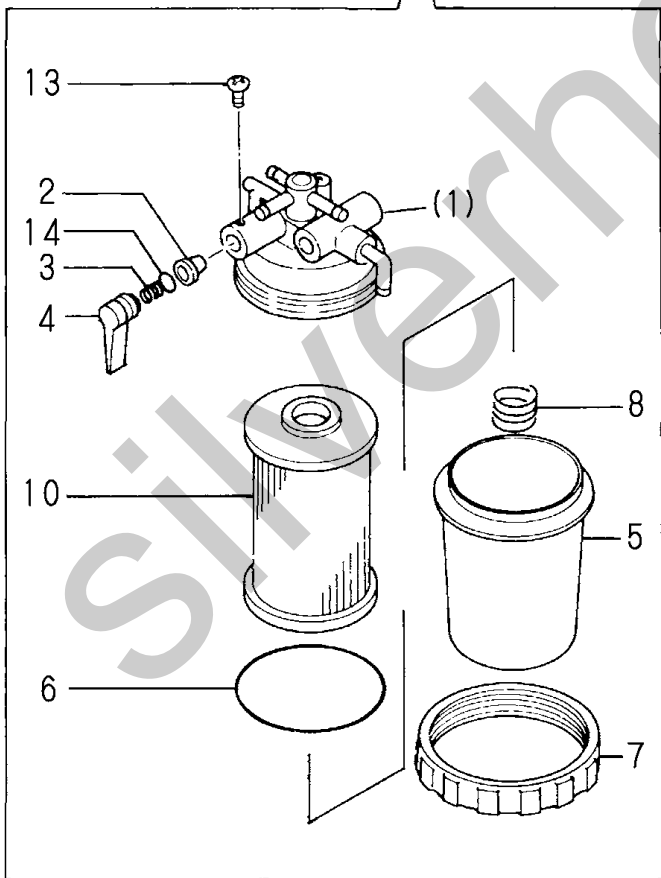
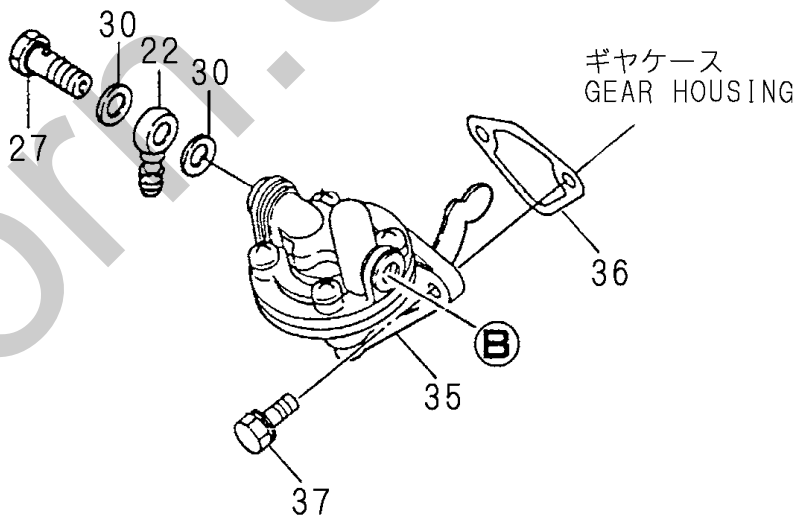
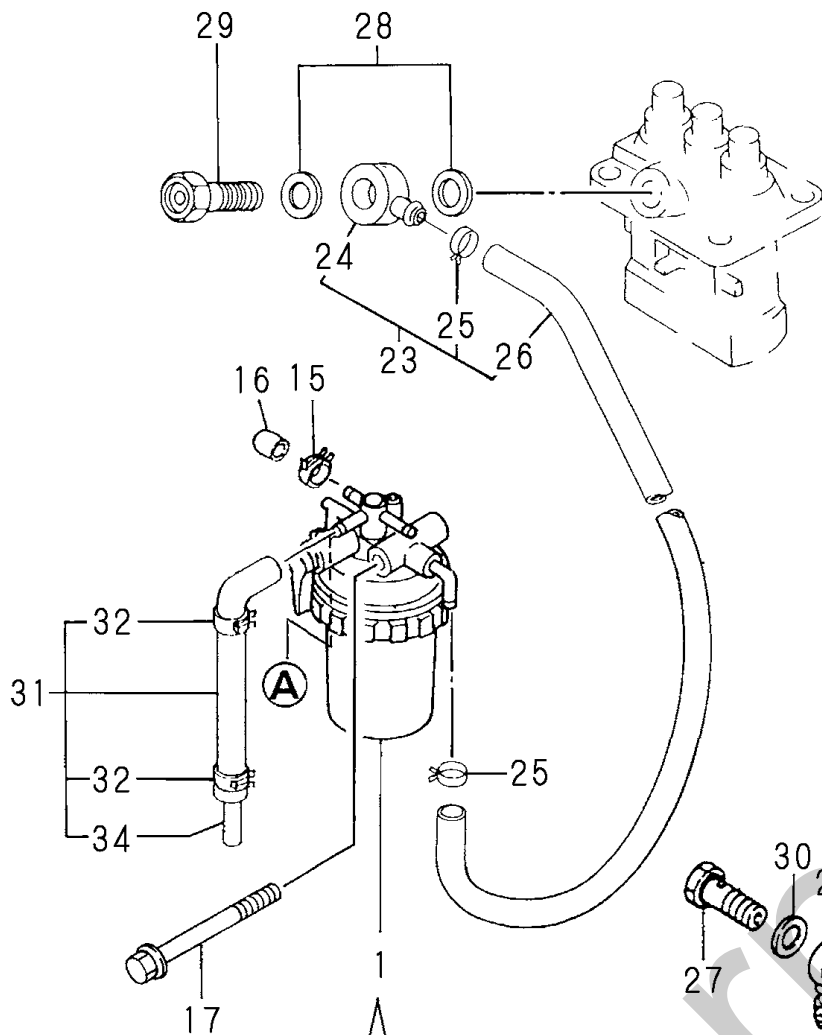
90,1,,23414-140000,, "GASKET 14, ROUND",3,,,,,,,,,,,,,,,,,,,,,
90-1,1,,22190-140002,, "SEAL WASHER 14S",3,3,,,,,N,,TN-99116,E/#63165,,,,,,,,,,,,,I
91,1,,124766-59050,, "CLAMP 12",2,,,,,,,,,W,,*,EXXX,,,,,,,,,,,,,
92,1,,119225-59560,, "PIPE, FUEL OIL",1,,,,,,,,,W,,*,EXXX,,,,,,,,,,,,,
93,1,,724767-59080,, "PIPE, F.O. CMP",,1,,,,,,,,,,,,,,,,,,,,,
94,2,,124766-59050,, "CLAMP 12",,2,,,,,,,,,,,,,,,,,,,,,
95,2,,124767-59080,, "PIPE, F.O.",,1,,,,,,,,,,,,,,,,,,,,,
96,1,,119266-59501,, "PIPE JOINT ASSY",,1,,,,,,,,,,,,,,,,,,,,,
97,2,,119266-59570,, JOINT,,1,,,,,,,,,,,,,,,,,,,,,
98,2,,119266-59580,, "BOLT 8,PIPE JOINT",,1,,,,,,,,,,,,,,,,,,,,,
99,2,,22190-080002,, "SEAL WASHER 8S",,2,,,,,,,,,,,,,,,,,,,,,
101,1,,119266-51900,, BOLT,1,,,,,,W,,M1-00042,E/#81936,,,,,,,,,,,,,I
102,1,,22190-080002,, "SEAL WASHER 8S",1,,,,,,W,,M1-00042,E/#81936,,,,,,,,,,,,,I

Silverhorn.CO.UK



1,1,,119632-55620,, "STRAINER ASSY, F.O.",1,1,,,,,,,,,,,,,
 2,2,,104200-55321,, "VALVE, TAPER",1,1,,,,,,,,,,,,,
 3,2,,104200-55330,, "SPRING, TAPER VALVE",1,1,,,,,,,,,,,,,
 4,2,,119810-55340,, "LEVER",1,1,,,,,,,,,,,,,
 5,2,,121254-55510,, "CUP, STRAINER",1,1,,,,,,,,,,,,,
 6,2,,102103-55520,, "O-RING",1,1,,,,,,,,,,,,,
 7,2,,110250-55610,, "RING, RETAINING",1,1,,,,,,,,,,,,,
 8,2,,121250-55620,, "SPRING",1,1,,,,,,,,,,,,,
 10,2,,124550-55700,, "ELEMENT",1,1,,,,,,,,,,,,,
 13,2,,104200-55750,, "SCREW M 4",1,1,,,,,,,,,,,,,
 14,2,,24311-240100,, "O-RING 1A P-10A",1,1,,,,,,,,,,,,,
 15,1,,124066-59100,, "CLAMP 8",1,1,,,,,,,,,,,,,
 16,1,,129150-59580,, "CAP",1,1,,,,,,,,,,,,,
 17,1,,26014-080702,, "BOLT W/WASHER M8X 70",1,1,,,,,,,,,,,,,
 18,1,,119230-59020,, "PIPE, FUEL OIL",1,1,,,,,,,,,,,,,
 19,2,,104264-59030,, "JOINT 8, PIPE",1,1,,,,,,,,,,,,,
 20,2,,124766-59050,, "CLAMP 12",2,2,,,,,,,,,,,,,
 21,2,,121256-59080,, "PIPE (B), FUEL OIL",1,1,,,,,,,,,,,,,
 22,1,,104264-59030,, "JOINT 8, PIPE",1,1,,,,,,,,,,,,,
 23,1,,119225-59030,, "PIPE W/JOINT, FUEL",1,,,,,,,,,,,,,
 23-1,1,,119230-59031,, "PIPE ASSY, FUEL OIL",1,1,,,,,N,,TN-91119,"E/#
 29214",,,,,,,,,,,,,
 24,2,,101304-59020,, "JOINT 12, PIPE",1,1,,,,,,,,,,,,,
 25,2,,124766-59050,, "CLAMP 12",2,2,,,,,,,,,,,,,
 26,2,,119225-59560,, "PIPE, FUEL OIL",1,,,,,,,,,,,,,
 26-1,2,,119230-59080,, "FO-T",1,1,,,,,N,,TN-91119,"E/# 29214",,,,,,,,,,,,,
 27,1,,105582-59150,, "BOLT, PIPE JOINT",2,2,,,,,,,,,,,,,
 28,1,,104200-59170,, "GASKET 12",2,,,,,,,,,,,,,
 28-1,1,,22190-120002,, "SEAL WASHER 12",2,2,,,,,N,,TN-99116,"E/#63165",,,,,,,,,,,,,I
 29,1,,119650-59200,, "BOLT 12, PIPE JOINT",1,,,,,,,,,,,,,
 29A,1,,105340-59190,, "BOLT ASSY",1,,,,,,,,,,,,,
 30,1,,23414-080012,, "GASKET 8",4,,,,,,,,,,,,,
 30-1,1,,22190-080002,, "SEAL WASHER 8S",4,4,,,,,N,,TN-93295,"E/# 40790",,,,,,,,,,,,,
 31,1,,119840-59601,, "BEND ASSY",1,1,,,,,,,,,,,,,
 32,2,,124766-59050,, "CLAMP 12",2,2,,,,,,,,,,,,,
 34,2,,119840-59621,, "JOINT",1,1,,,,,,,,,,,,,
 35,1,,119600-52021,, "PUMP ASSY, FUEL FEED",1,1,,,,,,,,,,,,,
 36,1,,121520-01851,, "GASKET, (NON-ASB.)",1,1,,,,,,,,,,,,,
 37,1,,26014-060202,, "BOLT M 6X 20",2,2,,,,,,,,,,,,,





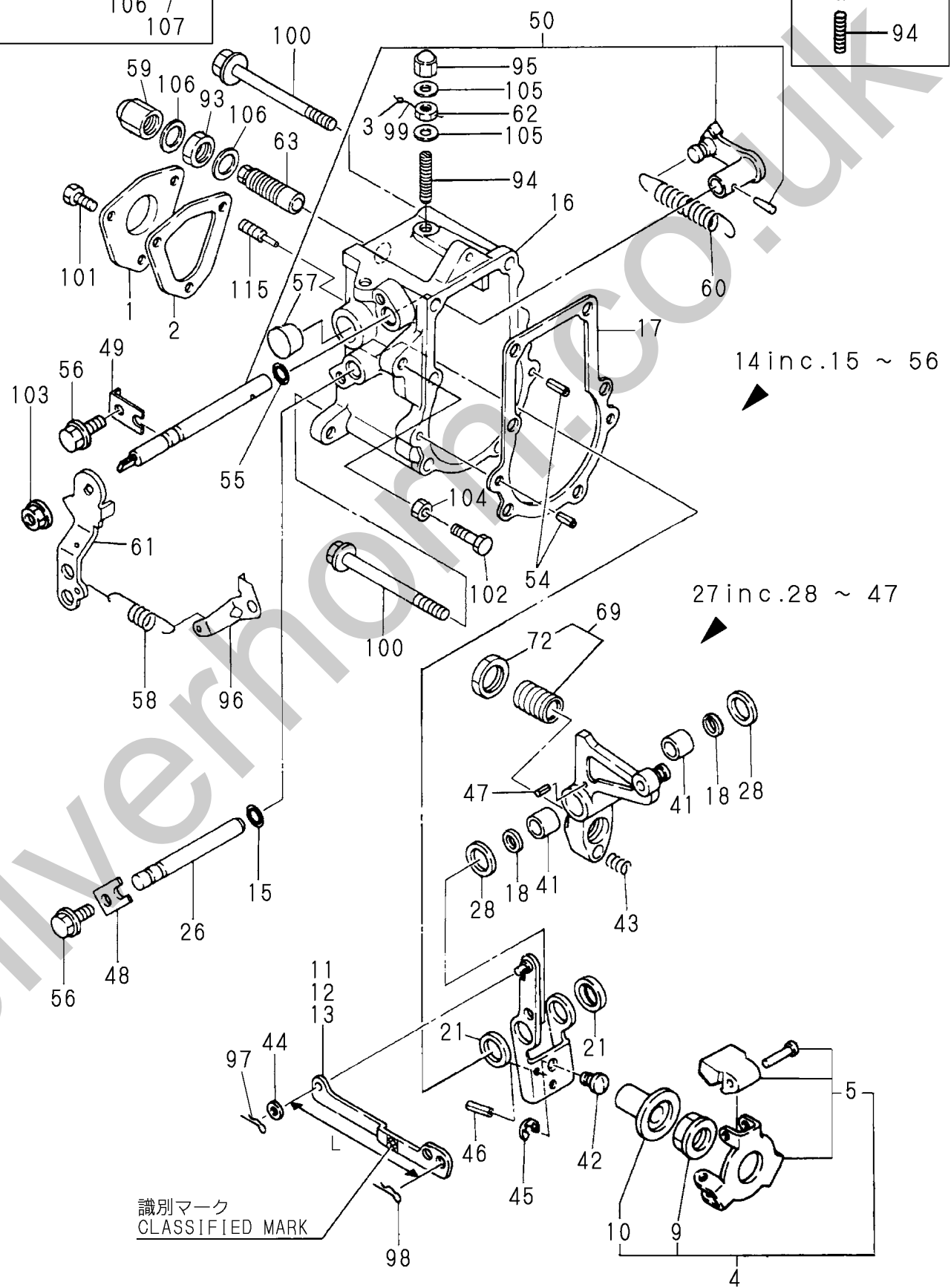
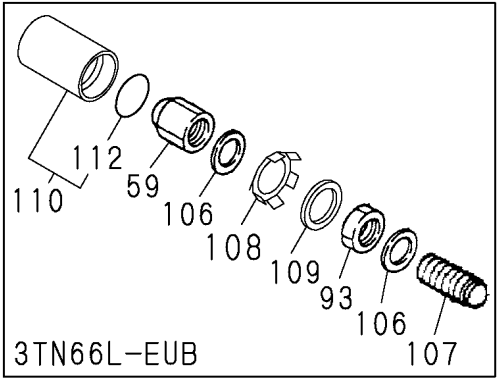
1,1,,119660-61060,, "COVER, GOVERNOR CASE",1,1,,,,,,,,,,,,,,,,,,,,,
2,1,,119660-61071,, "GASKET, (NON-ASB.)",1,1,,,,,,,,,,,,,,,,,,,,,
3,1,,135210-61090,, LEAD,1,,,,,,,,,,,,,,,,,,,,,,,,,,,,,
4,1,,119600-61100,, "DRIVING SET, GOV.",1,,,,,,,,,,,,,,,,,,,,,,,,,,,,,
4A,1,,119600-61300,, "DRIVING SET, GOV.",1,,,,,,,,,,,,,,,,,,,,,,,,,,,,,
5,2,,119600-61200,, "WEIGHT ASSY, GOV.",1,,,,,,,,,,,,,,,,,,,,,,,,,,,,,
5A,2,,119600-61400,, "WEIGHT ASSY, GOV.",1,,,,,,,,,,,,,,,,,,,,,,,,,,,,,
9,2,,119660-61300,, "NUT, GOVERNOR WEIGHT",1,1,,,,,,,,,,,,,,,,,,,,,
10,2,,119660-61341,, "SLEEVE, GOVERNOR",1,1,,,,,,,,,,,,,,,,,,,,,
11,1,,119660-61121,, "LINK L=88.8(NO COLOR)",1,1,,,,,1,,,,,,,,,,,,,
12,1,,119660-61140,, "LINK L=88.6(WHITE)",1,1,,,,,1,,,,,,,,,,,,,
13,1,,119660-61150,, "LINK L=89.0(RED)",1,1,,,,,1,,,,,,,,,,,,,
14,1,,119610-61200,, "CASE ASSY, GOVERNOR",1,1,,,,,,,,,,,,,,,,,,,,,
15,2,,129155-51280,, "O-RING S6",1,1,,,,,,,,,,,,,,,,,,,,,,,,,,,,,
16,2,,119660-61013,, "CASE, GOVERNOR",1,,,,,,,,,,,,,,,,,,,,,,,,,,,,,
16-1,2,,119660-61014,, "CASE, GOVERNOR",1,1,,,,,N, TN-01057,E/#64371,,,,,,,,,,,,,I
17,2,,119660-61052,, "GASKET, (NON-ASB.)",1,1,,,,,,,,,,,,,,,,,,,,,
18,2,,119660-61460,, "SHIM SET",1,1,,,,,,,,,,,,,,,,,,,,,,,,,,,,,
21,2,,129155-61480,, "SPACER ASSY",2,2,,,,,,,,,,,,,,,,,,,,,,,,,,,,,
26,2,,119660-61491,, "SHAFT,GOVERNOR LEVER",1,,,,,,,,,,,,,,,,,,,,,,,,,,,,,
26-1,2,,119660-61590,, SHAFT,1,1,,,,,N, TN-99323,E/#63898,,,,,,,,,,,,,I
27,2,,119656-61500,, "LEVER ASSY, GOVERNOR",1,1,,,,,,,,,,,,,,,,,,,,,
28,3,,174307-51700,, "SHIM SET",2,2,,,,,,,,,,,,,,,,,,,,,,,,,,,,,
41,3,,121450-61520,, "NEEDLE BEARING FJ810",2,,,,,,,,,,,,,,,,,,,,,,,,,,,,,
41-1,3,,114770-61520,, "BEARING,NEEDLE",2,2,,,,,N, TN-99323,E/#63898,,,,,,,,,,,,,I
42,3,,119600-61540,, SHIFTER,1,,,,,,,,,,,,,,,,,,,,,,,,,,,,,,,,,,,,,
42-1,3,,119600-61541,, "SHIFTER,P.T.O.",1,1,,,,,N, TN-94597,E/#47415,,,,,,,,,,,,,I
43,3,,119660-61651,, "SPRING, STARTING",1,1,,,,,,,,,,,,,,,,,,,,,,,,,,,,,
44,3,,22117-040000,, "WASHER 4",1,1,,,,,,,,,,,,,,,,,,,,,,,,,,,,,,,,,,,,,
45,3,,22272-000040,, "CIRCLIP E- 4",1,1,,,,,,,,,,,,,,,,,,,,,,,,,,,,,,,,,,,,,
46,3,,22351-020004,, "SPRING PIN 2X 4",1,1,,,,,,,,,,,,,,,,,,,,,,,,,,,,,,,,,,,,,
47,3,,22351-030014,, "SPRING PIN 3X14",1,1,,,,,,,,,,,,,,,,,,,,,,,,,,,,,,,,,,,,,
48,2,,119600-61900,, "RETAINER, SHAFT",1,1,,,,,,,,,,,,,,,,,,,,,,,,,,,,,
49,2,,119660-61901,, "RETAINER, SHAFT",1,1,,,,,,,,,,,,,,,,,,,,,,,,,,,,,
50,2,,119621-66091,, "SHAFT ASSY",1,1,,,,,,,,,,,,,,,,,,,,,,,,,,,,,,,,,,,,,
54,2,,22351-040010,, "SPRING PIN 4X10",2,2,,,,,,,,,,,,,,,,,,,,,,,,,,,,,,,,,,,,,
55,2,,24341-000070,, "O-RING 1A S-7.0",1,1,,,,,,,,,,,,,,,,,,,,,,,,,,,,,
56,2,,26106-060102,, "BOLT M 6X 10 PLATED",2,2,,,,,,,,,,,,,,,,,,,,,,,,,,,,,
57,1,,119640-61400,, PLUG,1,1,,,,,,,,,,,,,,,,,,,,,,,,,,,,,,,,,,,,,
58,1,,119840-61870,, SPRING,1,1,,,,,,,,,,,,,,,,,,,,,,,,,,,,,,,,,,,,,
59,1,,129100-61930,, "NUT, CAP",1,1,,,,,,,,,,,,,,,,,,,,,,,,,,,,,,,,,,,,,
60,1,,119600-66020,, "SPRING, REGULATOR",1,1,,,,,,,,,,,,,,,,,,,,,,,,,,,,,
61,1,,119640-66051,, "HANDLE, REGULATOR",1,1,,,,,,,,,,,,,,,,,,,,,,,,,,,,,
62,1,,124550-66370,, "LOCK NUT M 6",1,,,,,,,,,,,,,,,,,,,,,,,,,,,,,,,,,,,,,
62A,1,,26857-060002,, NUT,1,,,,,,,,,,,,,,,,,,,,,,,,,,,,,,,,,,,,,
63,1,,119600-66530,, "TORQUE SPRING ASSY",1,,,,,,,,,,,,,,,,,,,,,,,,,,,,,
69,1,,119610-66700,, "ANGLEICH ASSY",1,1,,,,,,,,,,,,,,,,,,,,,,,,,,,,,
72,2,,129155-61590,, NUT,1,1,,,,,,,,,,,,,,,,,,,,,,,,,,,,,,,,,,,,,
93,1,,124772-66750,, "LOCK NUT M12",1,,,,,,,,,,,,,,,,,,,,,,,,,,,,,
93-1,1,,26776-120002,, "LOCK NUT M12 PLATED",1,,,,,N, TN-94071,"E/#
43676",,,,,,,,,,,,,
93-2,1,,26736-120002,, "NUT M12",1,1,,,,,N, TN-01057,E/#64371,,,,,,,,,,,,,I
94,1,,121575-66830,, "SCREW, ADJUST",1,1,,,,,,,,,,,,,,,,,,,,,,,,,,,,,
95,1,,119600-66840,, "NUT, CAP",1,,,,,,,,,,,,,,,,,,,,,,,,,,,,,,,,,,,,,
95A,1,,119285-66600,, "CAPNUT M6",1,,,,,,,,,,,,,,,,,,,,,,,,,,,,,,,,,,,,,
96,1,,119656-66910,, HOOK,1,1,,,,,,,,,,,,,,,,,,,,,,,,,,,,,,,,,,,,,
97,1,,22360-040000,, "SNAP PIN 4",1,1,,,,,,,,,,,,,,,,,,,,,,,,,,,,,,,,,,,,,
98,1,,22360-060000,, "SNAP PIN 6",1,1,,,,,,,,,,,,,,,,,,,,,,,,,,,,,,,,,,,,,
99,1,,22451-060000,, "WIRE 0.6",1,,,,,,,,,,,,,,,,,,,,,,,,,,,,,,,,,,,,,
100,1,,26106-060702,, "BOLT M 6X 70 PLATED",6,6,,,,,,,,,,,,,,,,,,,,,
101,1,,26116-050102,, "BOLT M 5X 10 PLATED",3,3,,,,,,,,,,,,,,,,,,,,,
102,1,,26116-060304,, "BOLT M 6X 30 PLATED",1,1,,,,,Z, *,EXXX,,,,,,,,,,,,,
103,1,,194990-22050,, "NUT W/WASHER 8",1,1,,,,,,,,,,,,,,,,,,,,,

104,1,,26756-060002,, "LOCK NUT 6",1,1,,,,,Z,,*,EXXX,,,,,,,,,
105,1,,43400-500400,, "SEAL WASHER 6",2,,,,,,,,,,,,,,,,,
105-1,1,,22190-060003,, "SEAL WASHER 6",2,,,,,N,,TN-93179,"E/# 39494",,,,,,,,,,
105A,1,,119285-66620,, "GASKET M6",1,,,,,,,,,,,,,,,,,
106,1,,43400-500450,, "SEAL WASHER 12S",2,,,,,,,,,,,,,,,,,
106-1,1,,22190-120002,, "SEAL WASHER 12",2,2,,,,,N,,TN-93179,"E/# 39494",,,,,,,,,,
107,1,,120323-61470,, "BOLT, CONTROL",1,,,,,,,,,,,,,,,,,
108,1,,129209-61970,, PLATE,1,,,,,,,,,,,,,,,,,
109,1,,23414-120016,, "GASKET 12",1,,,,,,,,,,,,,,,,,
110,1,,129209-61940,, "CASE ASSY",1,,,,,,,,,,,,,,,,,
112,2,,24311-000150,, "O-RING 1A P-15.0",1,,,,,,,,,,,,,,,,,
114,1,,119285-66650,, "CAP, HIGH-IDLE",1,,,,,2,,,,,,,,,
115,1,,124250-03640,, "SCREW, STOP",1,1,,,,,,,,,,,,,,,,,

Silverhorn.CO.UK

3TN66L-EUB

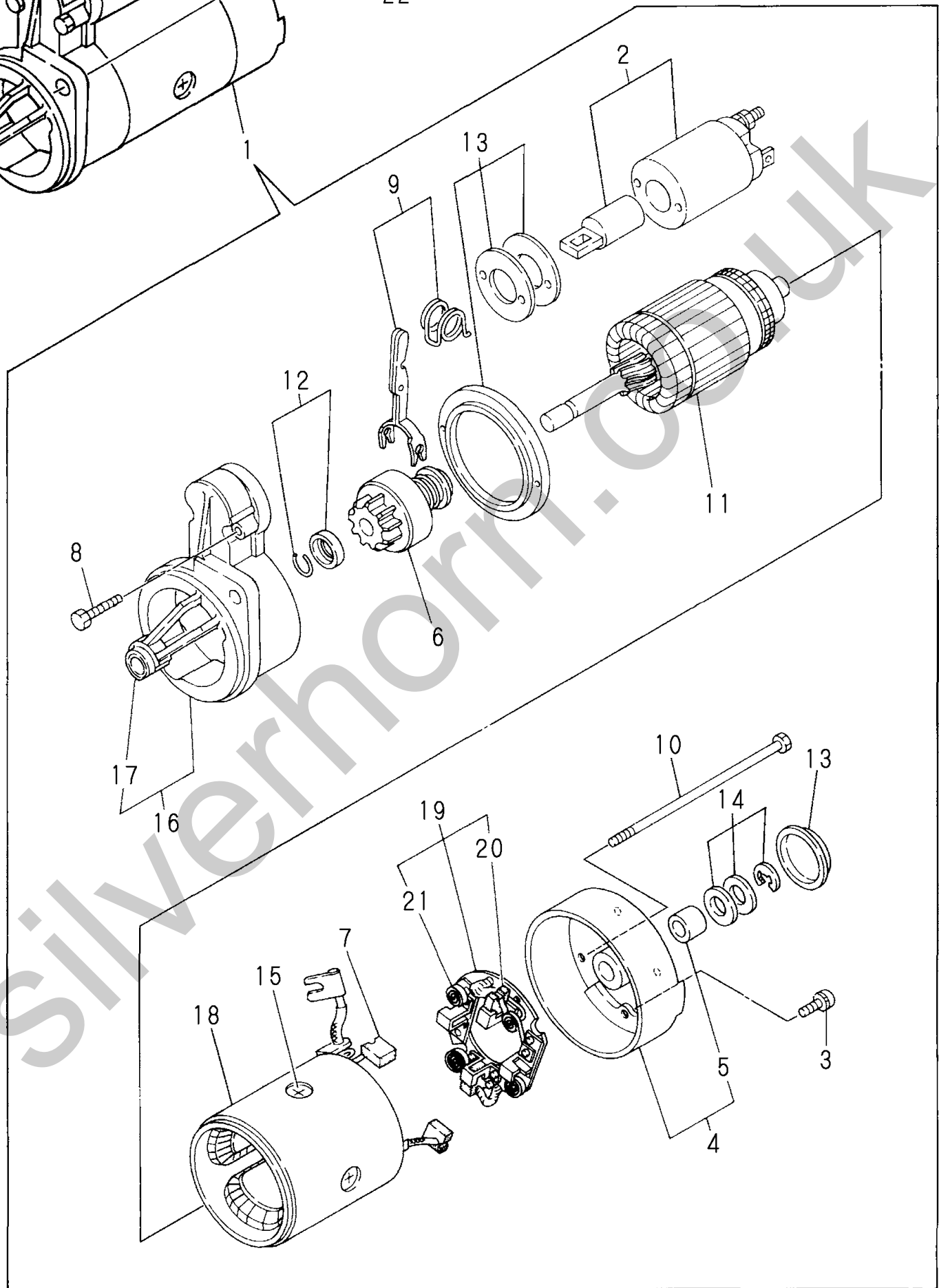
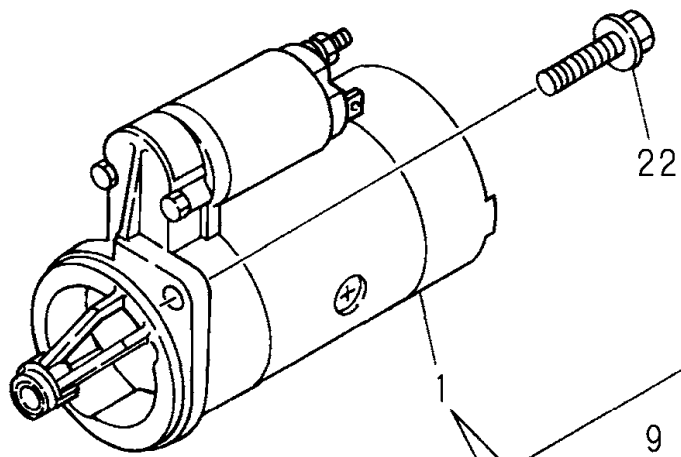
- 114
- 95A
- 105A
- 62A
- 94



識別マーク
CLASSIFIED MARK

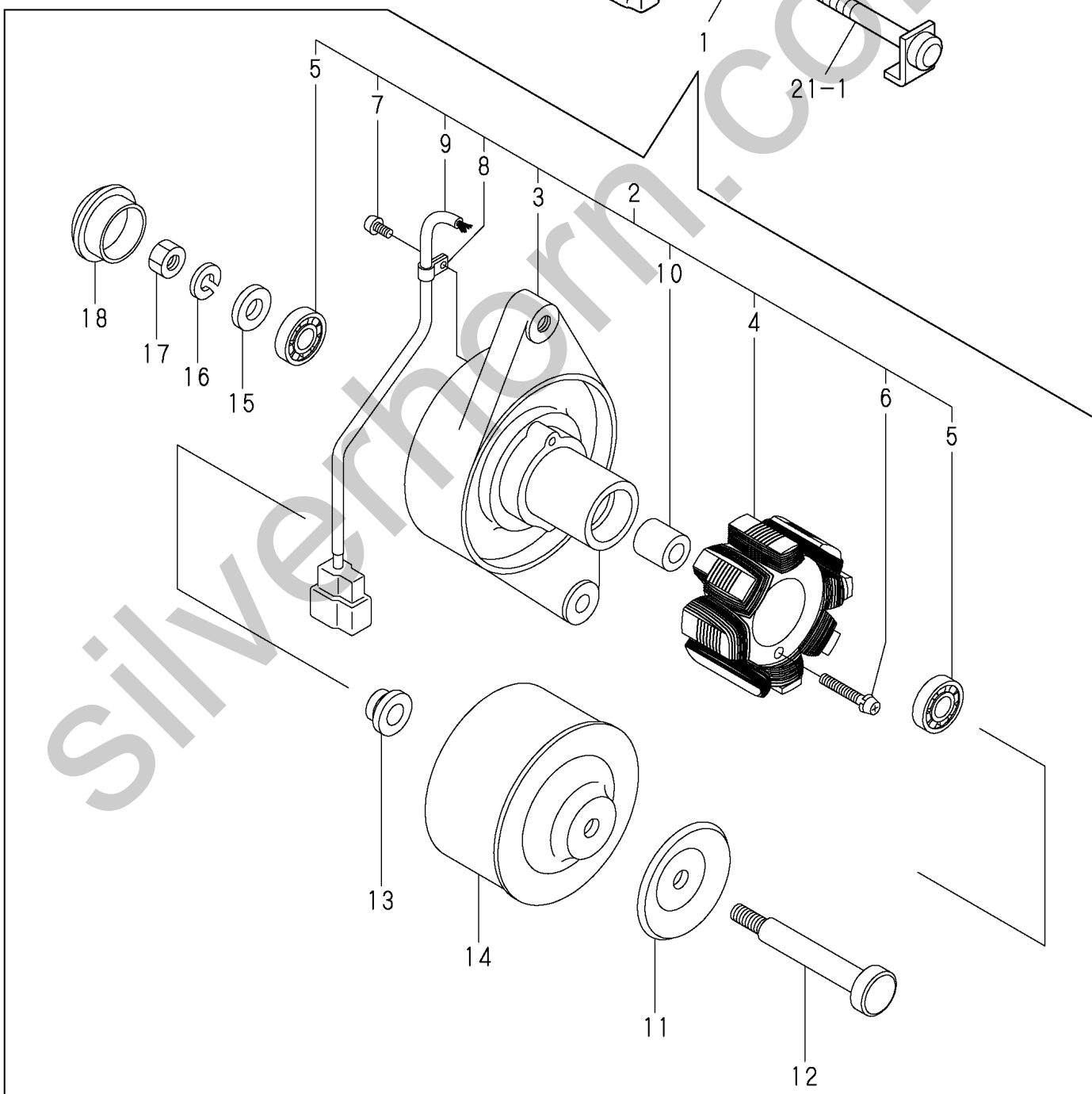
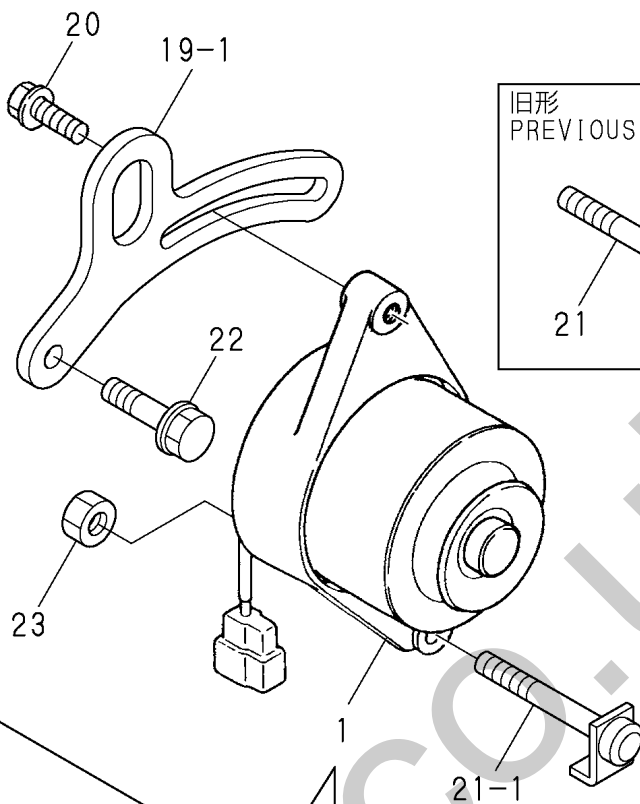
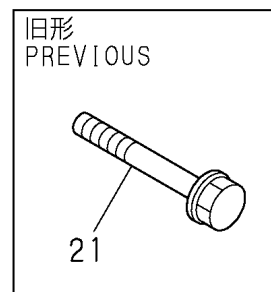
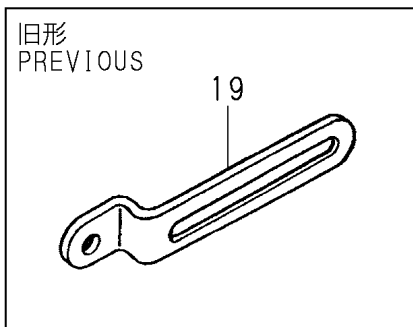
1,1,,119225-77011,,STARTER,1,1,,,,,,,,,,,,,
2,2,,X2114275070,, "SWITCH, MAGNETIC",1,1,,,,,,,,,,,,,
3,2,,X2114283500,, "SCREW SET",1,1,,,,,,,,,,,,,
4,2,,X2114430010,, "COVER ASSY, REAR",1,1,,,,,,,,,,,,,
5,3,,X2114535200,, "METAL, STARTER",1,1,,,,,,,,,,,,,
6,2,,X2114455040,, "PINION ASSY",1,1,,,,,,,,,,,,,
7,2,,X2114531200,, "BRUSH (+)",2,2,,,,,,,,,,,,,
8,2,,X2114586700,, "BOLT M6X 37",2,2,,,,,,,,,,,,,
9,2,,X2114660130,, "LEVER KIT, SHIFT",1,1,,,,,,,,,,,,,
10,2,,X2114680050,, "BOLT, THROUGH",2,,,,,,,,,,,,,
10-1,2,,124195-77770,, "BOLT, THROUGH",2,2,,,,,N,*EXXX,,,,,I
11,2,,124190-77110,, "ARMATURE, (NON-ASB.)",1,1,,,,,,,,,,,,,
12,2,,X2114715500,, "STOPPER SET, PINION",1,1,,,,,,,,,,,,,
13,2,,X2114780060,, "COVER ASSY, DUST",1,1,,,,,,,,,,,,,
14,2,,X2114811000,, "WASHER KIT, THRUST",1,1,,,,,,,,,,,,,
15,2,,X2114821500,, "SCREW SET",4,4,,,,,,,,,,,,,
16,2,,X2114866060,, "HOUSING, GEAR",1,1,,,,,,,,,,,,,
17,3,,X2114535200,, "METAL, STARTER",1,1,,,,,,,,,,,,,
18,2,,X2114921040,, "COIL ASSY, FIELD",1,1,,,,,,,,,,,,,
19,2,,X2114990010,, "HOLDER ASSY, BRUSH",1,1,,,,,,,,,,,,,
20,3,,X2114831300,, "BRUSH (-)",1,1,,,,,,,,,,,,,
21,3,,X2114931400,, "SPRING, BRUSH",3,3,,,,,,,,,,,,,
22,1,,26106-100252,, "BOLT M10X 25 PLATED",2,2,,,,,,,,,,,,,

Silverhorn.CO.UK



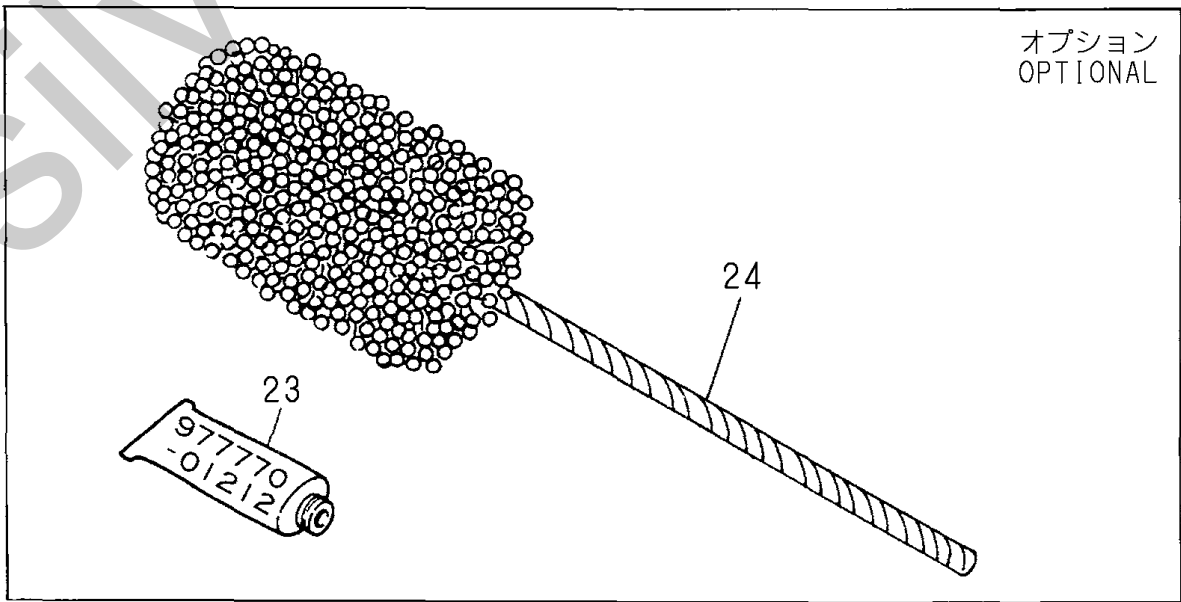
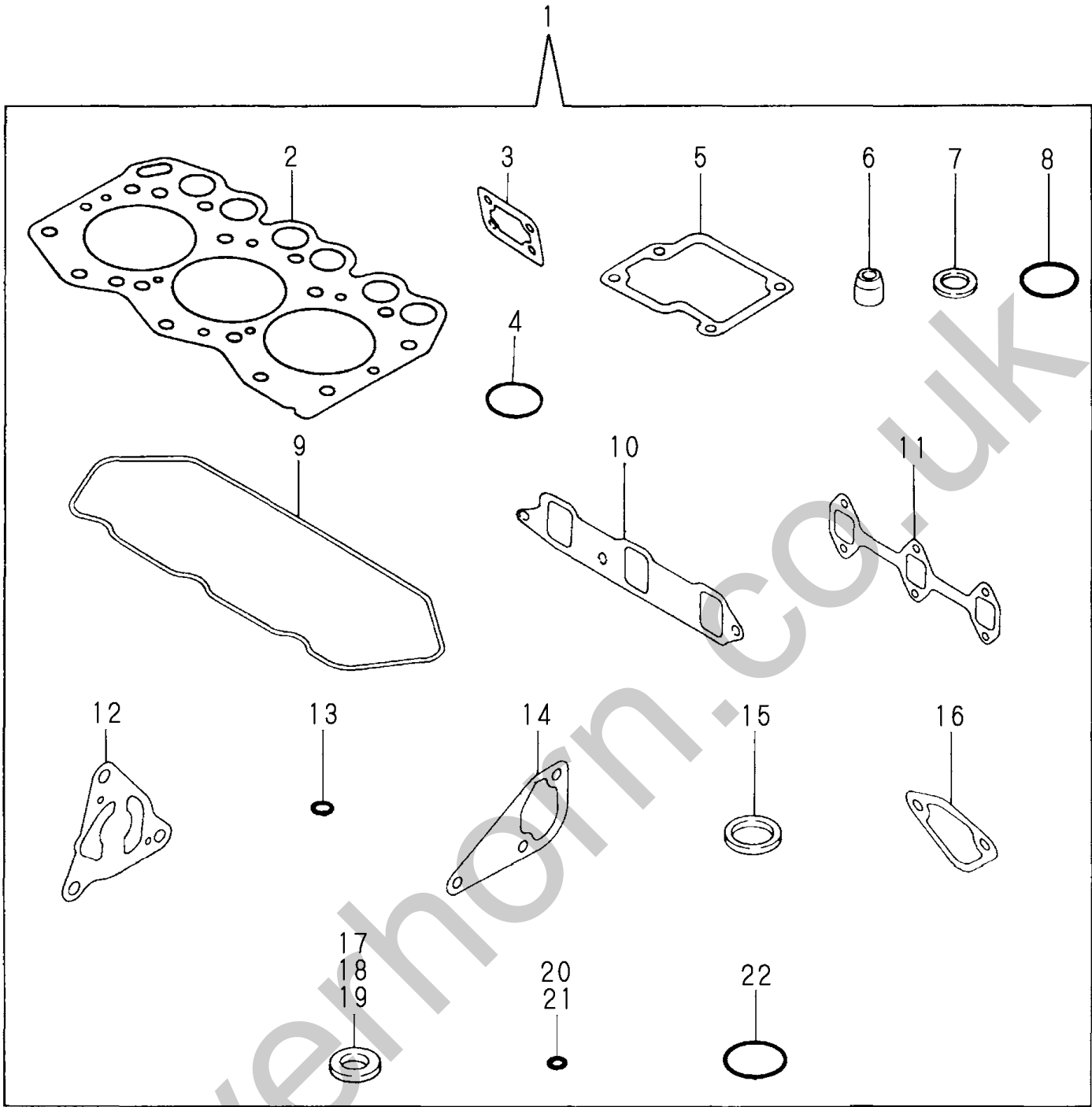
1,1,,119663-77200,,GENERATOR,1,1,,,,,,,,,,,,,,,,,,,,,
2,2,,XM183780000,,,"PLATE ASSY",1,1,,,,,,,,,,,,,,,,,,,,,
3,3,,X2A07071KA,,PLATE,1,1,,,,,,,,,,,,,,,,,,,,,
4,3,,X4A07023KC,,STATOR,1,1,,,,,,,,,,,,,,,,,,,,,
5,3,,XM274360000,,,"BEARING 6201ZZC3",2,2,,,,,,,,,,,,,,,,,,,,,
6,3,,XYSPS402400,,SCREW,2,2,,,,,,,,,,,,,,,,,,,,,
7,3,,XYSPS400800,,SCREW,1,1,,,,,,,,,,,,,,,,,,,,,
8,3,,XM069000000,,CLAMP,1,1,,,,,,,,,,,,,,,,,,,,,
9,3,,XM178780000,,COUPLER,1,1,,,,,,,,,,,,,,,,,,,,,
10,3,,XM329830000,,COLLAR,1,1,,,,,,,,,,,,,,,,,,,,,
11,2,,XM721740000,,PULLEY,1,1,,,,,,,,,,,,,,,,,,,,,
12,2,,X4A07130K01,,SHAFT,1,1,,,,,,,,,,,,,,,,,,,,,
13,2,,X4A04060K01,,COLLAR,1,1,,,,,,,,,,,,,,,,,,,,,
14,2,,X3A08344KB,,FLYWHEEL,1,1,,,,,,,,,,,,,,,,,,,,,
15,2,,XM860250000,,,"WASHER 10",1,1,,,,,,,,,,,,,,,,,,,,,
16,2,,XM219230000,,,"WASHER, SPRING",1,1,,,,,,,,,,,,,,,,,,,,,
17,2,,XM863720000,,NUT,1,1,,,,,,,,,,,,,,,,,,,,,
18,2,,XM771870000,,CAP,1,1,,,,,,,,,,,,,,,,,,,,,
19,1,,121450-77330,,,"ADJUSTER, BELT",1,,,,,,,,,,,,,,,,,,,,,
19-1,1,,119230-77330,,ADJUSTER,1,1,,,,,S,,TN-99185,E/#63165,,,,,,,,,,,,,I
20,1,,26014-080252,,,"BOLT M 8X 25",1,,,,,,,,,,,,,,,,,,,,,
20-1,1,,26106-080202,,,"BOLT M 8X 20 PLATED",1,1,,,,,N,,*,EXXX,,,,,,,,,,,,,I
21,1,,26106-100402,,,"BOLT M10X 40 PLATED",1,,,,,,,,,,,,,,,,,,,,,
21-1,1,,119233-77251,,BOLT,1,,,,,N,,*,EXXX,,,,,,,,,,,,,I
21-2,1,,119325-77250,,,"BOLT M 8X 56",1,1,,,,,N,,TN-00312,E/#64371,,,,,,,,,,,,,I
22,1,,119810-77340,,BOLT,1,1,,,,,W,,*,EXXX,,,,,,,,,,,,,I
23,1,,26306-080002,,NUT,1,1,,,,,W,,*,EXXX,,,,,,,,,,,,,I





1,1,,719230-92600,, "GASKET SET(NON-ASB.)",1,1,,,,,1,,,,,
 2,2,,119225-01340,, "GASKET, (NON-ASB.)",1,1,,,,,
 3,2,,119660-01562,, "GASKET, (NON-ASB.)",1,1,,,,,
 4,2,,24311-000320,, "O-RING 1A P-32.0",1,1,,,,,
 5,2,,119260-03031,, "GASKET, (NON-ASB.)",1,1,,,,,
 6,2,,119260-11340,, "SEAL, VALVE STEM",6,6,,,,,
 7,2,,119600-11460,, "GASKET, NOZZLE",6,6,,,,,
 8,2,,24311-000320,, "O-RING 1A P-32.0",1,1,,,,,
 9,2,,119260-11310,, "GASKET, BONNET",1,1,,,,,
 10,2,,119270-12110,, "GASKET, SUC.MANIFOLD",1,1,,,,,
 11,2,,119260-13110,, "GASKET, EXH.MANIFOLD",1,1,,,,,
 12,2,,119660-32020,, "GASKET, L.O.PUMP",1,1,,,,,
 13,2,,124450-35110,, "O-RING, L.O.STRAINER",1,,,,,
 14,2,,119260-42020,, "GASKET, C.W. PUMP",1,,,,,
 14-1,1,,119260-42021,, "GASKET, C.W.",1,1,,,,,N,,TN-99337,E/#64247,,,,,I
 15,2,,124465-44950,, "GASKET 16",1,1,,,,,
 16,2,,121520-01851,, "GASKET, (NON-ASB.)",1,1,,,,,
 17,2,,104200-59170,, "GASKET 12",2,2,,,,,
 18,2,,23414-080012,, "GASKET 8",4,,,,,
 18-1,2,,22190-080002,, "SEAL WASHER 8S",4,4,,,,,N,,TN-93295,"E/# 40790",,,,,,
 19,2,,23414-140000,, "GASKET 14, ROUND",3,,,,,
 19-1,2,,22190-140002,, "SEAL WASHER 14S",3,3,,,,,N,,TN-99116,E/#63165,,,,,I
 20,2,,24311-000120,, "O-RING 1A P 12.0",5,5,,,,,
 21,2,,24311-240100,, "O-RING 1A P-10A",1,1,,,,,
 22,2,,24321-000350,, "O-RING 1A G-35.0",1,1,,,,,
 23,1,,977770-01212,, "GASKET, LIQUID",1,1,,,,,1,,,,,
 24,1,,129400-92400,, "FLEX HORN",1,1,,,,,1,,,,,





0,Y00B4522
1,001,, "ENGINE 3TN66L-(E)UB"
2,1,, "CYLINDER BLOCK", 3TN66L-UB, 3TN66L-EUB,,
2,2,, "GEAR HOUSING", 3TN66L-UB, 3TN66L-EUB,,
2,3,, "FLYWHEEL HOUSING & L.O.SUMP", 3TN66L-UB, 3TN66L-EUB,,
2,4,, "CYLINDER HEAD & BONNET", 3TN66L-UB, 3TN66L-EUB,,
2,5,, "SUCTION & EXHAUST MANIFOLD", 3TN66L-UB, 3TN66L-EUB,,
2,6,, "CAMSHAFT & DRIVING GEAR", 3TN66L-UB, 3TN66L-EUB,,
2,7,, "CRANKSHAFT & PISTON", 3TN66L-UB, 3TN66L-EUB,,
2,8,, "LUB.OIL SYSTEM", 3TN66L-UB, 3TN66L-EUB,,
2,9,, "COOLING WATER SYSTEM", 3TN66L-UB, 3TN66L-EUB,,
2,10,, "FUEL INJECTION DEVICE", 3TN66L-UB, 3TN66L-EUB,,
2,11,, "FUEL PIPE", 3TN66L-UB, 3TN66L-EUB,,
2,12,, GOVERNOR, 3TN66L-UB, 3TN66L-EUB,,
2,13,, "STARTING MOTOR", 3TN66L-UB, 3TN66L-EUB,,
2,14,, GENERATOR, 3TN66L-UB, 3TN66L-EUB,,
2,15,, "GASKET SET & TOOLS", 3TN66L-UB, 3TN66L-EUB,,

Silverhorn.CO.UK